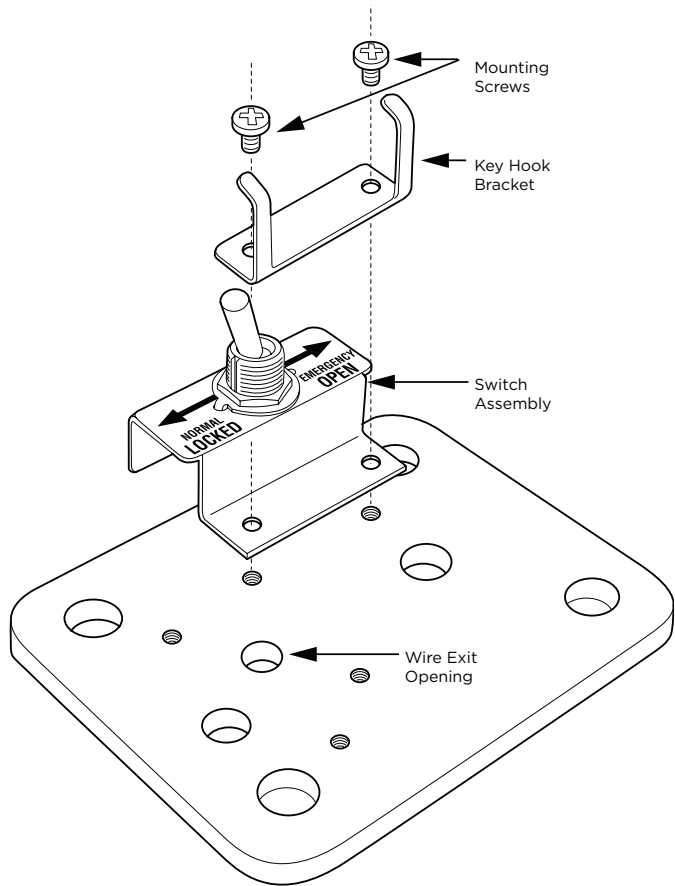
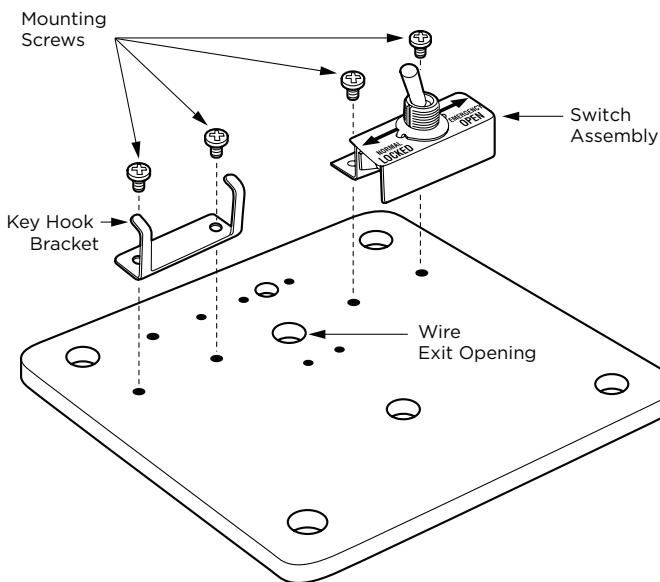


MULTI-PURPOSE ELECTRICAL SWITCH

INSTALLATION INSTRUCTIONS FOR KNOXBOX® 3200 & KNOXVAULT® 4400



KnoxBox 3200 Mounting Configuration
Backplate shown without housing for clarity



KnoxVault 4400 Mounting Configuration
Backplate shown without housing for clarity

This electric switch may be connected to most electric doors including those equipped with Maglock-type locks. Gates and other electrical equipment may also be operated by this switch.

Typically, the switch will be used to unlock electrical doors and gates that are controlled by a low voltage circuit. Other devices may require an intermediate control relay for use with higher voltages.

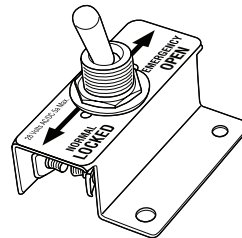
IMPORTANT

The maximum load for this electrical switch is:
28 Volt AC/DC 5 Amp

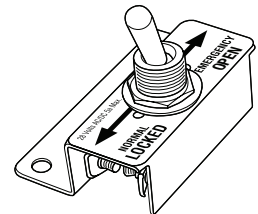
This switch may be retrofitted into all KnoxBox 3200 units sold since April 2002 and KnoxVault 4400 units sold since January 2003.

MOUNTING BRACKET ORIENTATION - KNOXBOX 3200 VS. KNOXVAULT 4400

Please note that the switch and label orientation remain the same, only the bracket is reversed to accommodate mounting differences. The switch can be rotated when installed to allow for normally open or normally closed circuits.



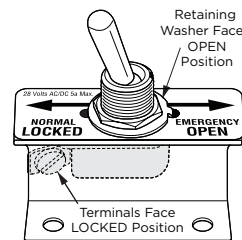
KnoxBox 3200



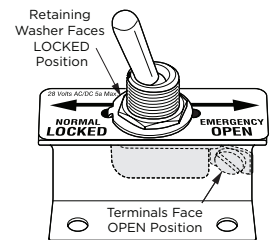
KnoxVault 4400

NORMALLY OPENED VS. NORMALLY CLOSED SWITCH OPERATION

Switch units may be oriented to achieve either a normally open or normally closed use. Upon installation, the switch must be inserted into its mounting hole so that the switch label will read correctly and the switch circuit will operate correctly when in use.



Normally Closed Circuit



Normally Open Circuit

MULTI-PURPOSE ELECTRICAL SWITCH

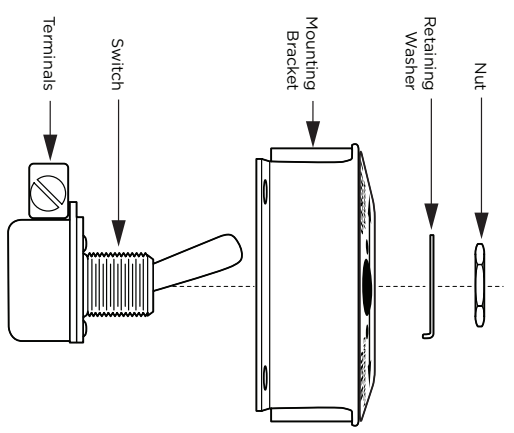
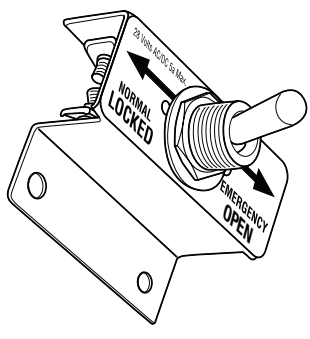
INSTALLATION INSTRUCTIONS FOR KNOXBOX® 3200 & KNOXVAULT® 4400

MULTI-PURPOSE ELECTRICAL SWITCH

INSTALLATION INSTRUCTIONS FOR KNOXBOX® 3200 & KNOXVAULT® 4400



Optional electrical switch for use in all KnoxBox 3200 and KnoxVault 4400 units.



Switch Assembly
Side View



KnoxBox 3200 Model
With optional Electrical Switch installed



KnoxVault 4400 Model
With optional Electrical Switch and Knox Tamper Alert installed

The maximum load for this electrical switch is:
28 Volt AC/DC 5 Amp