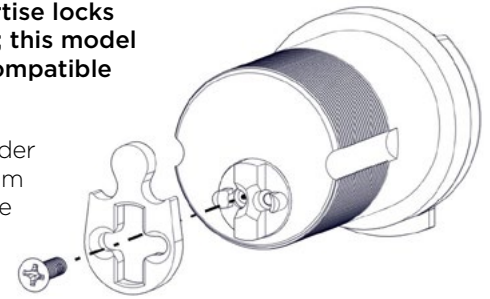


KNOX eLOCK SYSTEM™ MORTISE CYLINDER INSTALLATION GUIDE

The Knox Mortise Cylinder is compatible with most standard 1 1/4" to 1 5/8" mortise locks and select rim exit locks. The lock is used with the KLS-8701K model Knox eKey; this model is compatible with all Knox eLock products. The Knox KLS-8700K eKey is not compatible with the mortise cylinder.

The Knox eLock Mortise Cylinder uses cams having the GMS or legacy Schlage cylinder interface. Different brands and styles of mortise and rim exit locks require specific cam shapes to operate the latch. Depending on the brand of your lock, a new cam may be needed to correctly interface with the back of the KnoxLock cylinder.

For this installation, existing cylinder accessories can be reused in certain instances; however, additional blocking rings may be needed to cover the exposed portion of the lock cylinder.



Cam Interface

The KLS- 8810L/8811L kit includes:

- ✓ eLock in Mortise Cylinder
- ✓ Compression ring
- ✓ Compression spring
- ✓ 3/8" Blocking ring

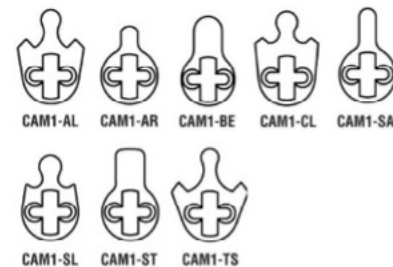
PREREQUISITES:

1. Survey the door:

- Determine the type and brand of mortise lock
- Identify if additional parts are needed to complete the installation

If the preexisting lock cam mounting screw location is not compatible with the Knox Mortise Cylinder, GMS cams for most brands of mortise locks are readily available from lock and security hardware distributors.

CAM #	DESCRIPTION
CAM1-AL	Almet Cam
CAM1-AR	AdamsRite Cam
CAM1-BE	Best Cam
CAM1-CL	Corbin Cam
CAM1-SA	Sargent Cam
CAM1-SL	Schlage Cam
CAM1-ST	Yale Cam
CAM1-TS	Falcon/Saflok Cam



Additional blocking rings may be required to fill the gap between the compression ring and the trim or door prep. Cams and blocking rings in different finishes are available from most lock and security hardware distributors.

NOTE:

Knox does not provide additional lock accessory components. Consult your facilities staff or a locksmith to identify the lock and obtain cams or additional parts.

2. Program the Knox eLock Mortise Cylinder with a valid lock code:

Using a Knox 8701 eKey that has been configured with Command Code 2 and the desired lock code, program the eLock with the lock code. Using Command Code 1 - test the lock to ensure it opens.

INSTALLATION INSTRUCTIONS:

Materials:

- Knox eLock System™ Mortise Cylinder
- Cam
- Blocking rings (if needed)

Tools required for installation:

- Phillips #2 screwdriver
- Flat head screwdriver
- Key to existing lock cylinder
- Knox KLS-8701K eKey
- 6-32 Torx screwdriver

CAUTION: Do not allow the door to close until installation has been completed and the unlock function has been tested. You may be unable to reopen the door.

HELPFUL LINKS:
 Basics of replacing a Mortise Cylinder
<https://www.youtube.com/watch?v=7Y66-aT8lNo>

and latch, you may allow the door to close.
 least once. If the key rotation successfully unlocks the deadbolt
 and insert into the eLock and rotate the key to operate the lock at
WITH THE DOOR STILL OPEN, use Command Code 1 in the eKey

4. Reinstall the mortise latch faceplate and test

- Using a #2 Phillips screwdriver, tighten the cylinder set screw

3. Tighten the set screw:

- Insert the cylinder through the door prep or trim and begin to carefully thread it into the lock housing
- Once threaded, insert the eKey into the eLock core to use as a handle to continue threading into the lock until it is fully seated and adjust so that the lock is oriented as shown

- Compression spring
- Compression ring
- Blocking ring(s)

(In order from the lock face to the door):

Place the compression ring and any required blocking ring(s) onto the cylinder barrel

- After removing the spacer tag, remove the screw from the back of the Knox cylinder and install the lock cam. Once installed, reinsert the cam screw and tighten. The cam face having the countersunk hole should be outward so the screw head is recessed when tightened.

2. Install the Knox eLock Mortise Cylinder:

- Partially insert the mechanical key into the cylinder and use as a handle to unscrew the cylinder and remove
- Using a #2 Phillips screwdriver, back out the cylinder set screw

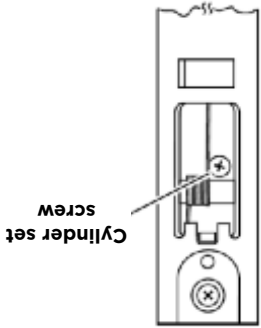
1. Remove the existing Mortise Cylinder:

- Open the door to access the mortise latch faceplate

Orient lock face so thinnest part of metal face is at the bottom



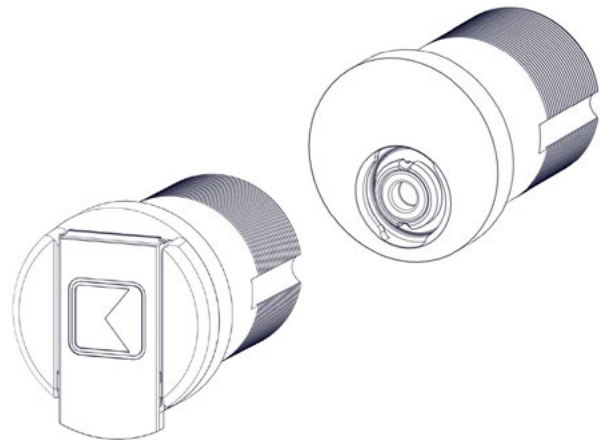
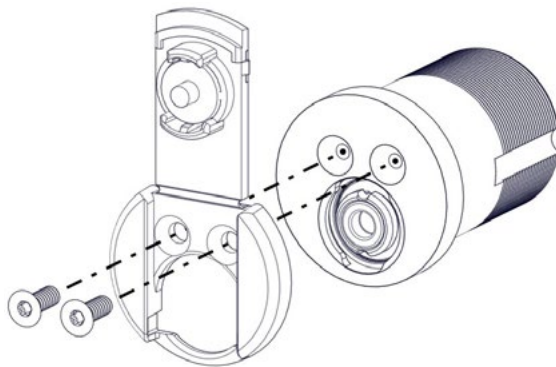
Top



RAIN GUARD INSTALLATION

(KLS-8811L Outdoor only) Open rain guard. Align screw holes with hinge at the top. Insert screws (provided) and tighten using 6-32 Torx screwdriver

NOTE: Water will not harm the eLock but may temporarily prevent the key from communicating until excess water is eliminated.



KnoxLock is a registered trademark of the Knox Company.

KnoxLock and Knox eLock are patent protected. Visit <https://www.knoxbox.com/patents> for more information.

**KNOX eLOCK SYSTEM™
 MORTISE CYLINDER**

INSTALLATION GUIDE