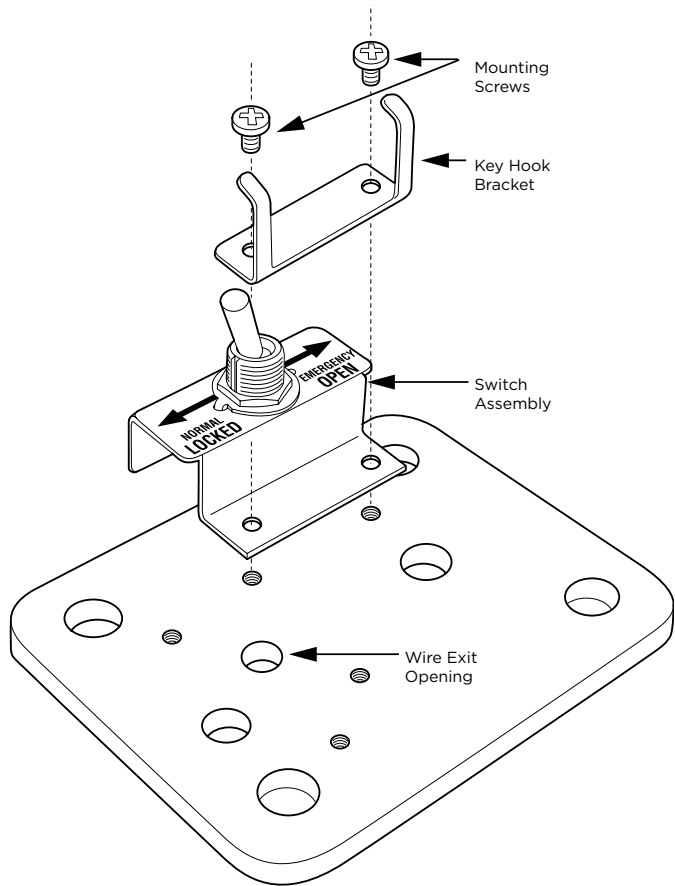
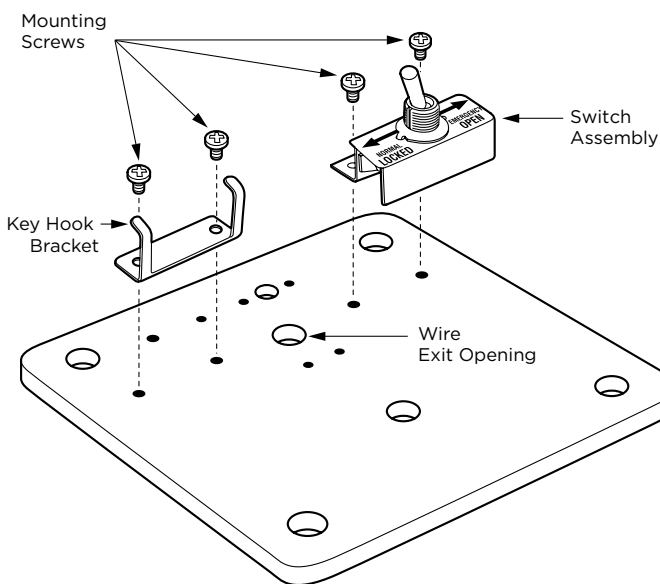


# MULTI-PURPOSE ELECTRICAL SWITCH

## INSTALLATION INSTRUCTIONS FOR KNOXBOX® 3200 & KNOXVAULT® 4400



**KnoxBox 3200 Mounting Configuration**  
Backplate shown without housing for clarity



**KnoxVault 4400 Mounting Configuration**  
Backplate shown without housing for clarity

This electric switch may be connected to most electric doors including those equipped with Maglock-type locks. Gates and other electrical equipment may also be operated by this switch.

Typically, the switch will be used to unlock electrical doors and gates that are controlled by a low voltage circuit. Other devices may require an intermediate control relay for use with higher voltages.

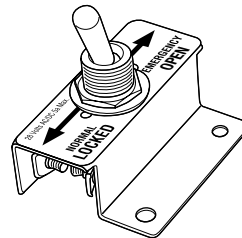
### IMPORTANT

The maximum load for this electrical switch is:  
**28 Volt AC/DC 5 Amp**

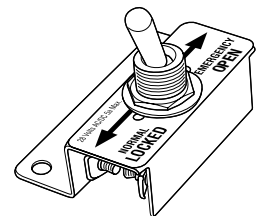
This switch may be retrofitted into all KnoxBox 3200 units sold since April 2002 and KnoxVault 4400 units sold since January 2003.

### MOUNTING BRACKET ORIENTATION - KNOXBOX 3200 VS. KNOXVAULT 4400

Please note that the switch and label orientation remain the same, only the bracket is reversed to accommodate mounting differences. The switch can be rotated when installed to allow for normally open or normally closed circuits.



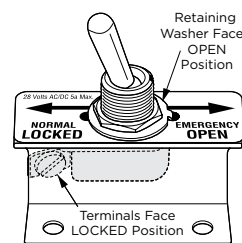
**KnoxBox 3200**



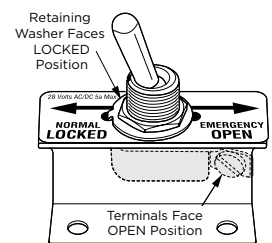
**KnoxVault 4400**

### NORMALLY OPENED VS. NORMALLY CLOSED SWITCH OPERATION

Switch units may be oriented to achieve either a normally open or normally closed use. Upon installation, the switch must be inserted into its mounting hole so that the switch label will read correctly and the switch circuit will operate correctly when in use.



**Normally Closed Circuit**



**Normally Open Circuit**



**KnoxBoss 3200 Model**  
With optional Electrical Switch installed

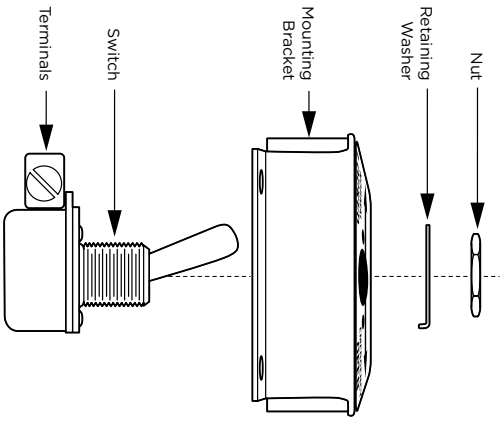


**KnoxVault 4400 Model**  
With optional Electrical Switch and Knox Tamper Alert installed

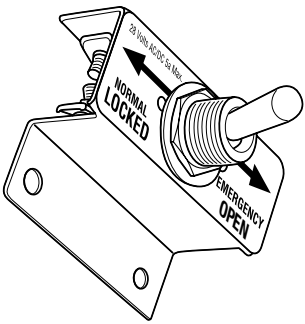
**MULTI-PURPOSE  
ELECTRICAL SWITCH**  
INSTALLATION INSTRUCTIONS FOR  
KNOXBOX® 3200 & KNOXVAULT® 4400



**MULTI-PURPOSE  
ELECTRICAL SWITCH**  
INSTALLATION INSTRUCTIONS FOR  
KNOXBOX® 3200 & KNOXVAULT® 4400



**Switch Assembly**  
Side View



Optional electrical switch  
for use in all KnoxBoss 3200  
and KnoxVault 4400 units.

The maximum load for this  
electrical switch is:  
**28 Volt AC/DC 5 Amp**