

**High Security Master Key Retention System**



Knox-Box Rapid Entry System security has been enhanced with the addition of KeySecure 3b, a keypad-controlled unit that keeps the department's master key locked in a visible position providing immediate accountability. KeySecure 3b maintains a history of unit activity including when and who released the key. It records the date and time if the faceplate is removed even if unit power is disabled.

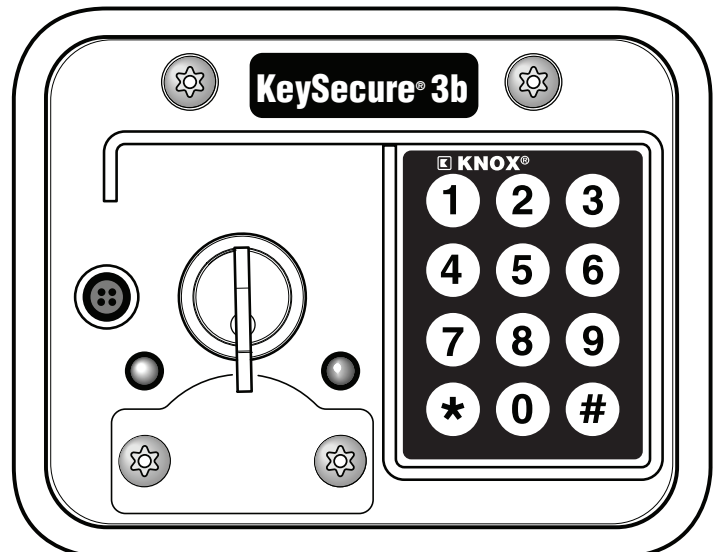
A system administrator can set the unit to release the master key with a single 3 to 6 digit PIN or with 2 co-dependent PINs entered within seconds of one another. (Additional key release programming options are available.) The unit's illuminated keypad clearly displays the buttons for PIN code entry day or night.

**Electrical Information**

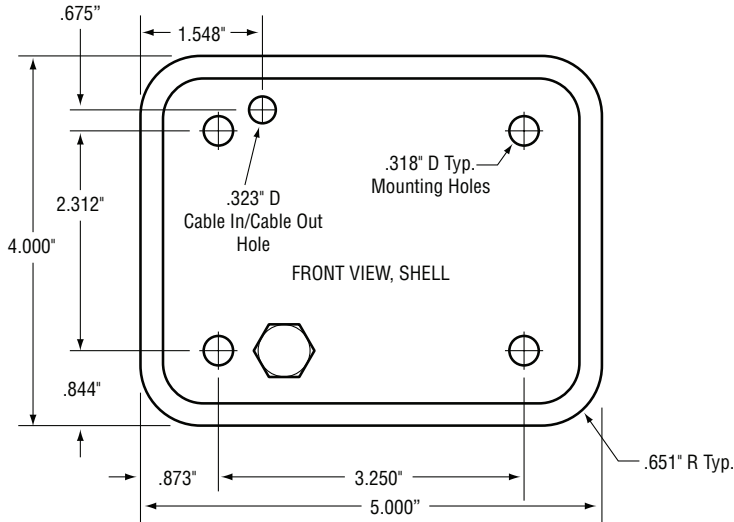
- Operating Temperature Range \_\_\_\_\_ -40 C to +85 C (-40 F to 185 F)
- Storage Temperature Range \_\_\_\_\_ -60 C to +90 C (-76 F to 194 F)
- Power Supply Input Range \_\_\_\_\_ 12 to 15 volts DC @ 3 amps
- Current Drain (Standby) \_\_\_\_\_ 50 milliamps
- Current Drain (Key Release Active) \_\_\_\_\_ 2.5 amps, Peak 2 amps cont.
- Current Drain (Key Out) \_\_\_\_\_ w/strobe 225 mA; wo/strobe 100 mA
- Initial Power Stabilization Time \_\_\_\_\_ 5 seconds
- Absolute Max Input \_\_\_\_\_ 20 volts DC
- Strobe Transistor Rating \_\_\_\_\_ 15 volts DC; 0.5 amps @ 12VDC
- Battery \_\_\_\_\_ 3 volt lithium coin cell battery (Panasonic CR2354)
- Battery Life \_\_\_\_\_ 5 years Nominal (no warranty)
- Dimensions \_\_\_\_\_ 5" W x 4" H x 4-1/2" D
- Finish \_\_\_\_\_ Powder Coating
- Construction \_\_\_\_\_ 1/4" plate steel
- Product Weight \_\_\_\_\_ 10 lbs

**Features**

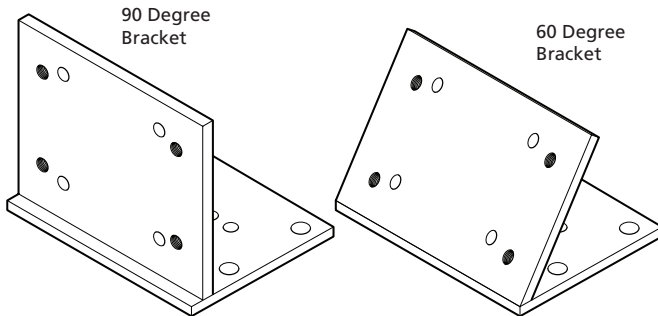
- 2mb memory stores 5,000 User PINs and 30,000 events
- Connects to PC USB port to collect device history (audit trail events) and user configuration
- User adjustable illuminated keypad (brightness level)
- Tamper monitor, with or without 12v power
- Solid state release monitor
- Optional strobe light signaling key removal – available in blue, red or amber
- Operates on any 12VDC 3A supply (50mA standby)
- Enhanced voltage spike suppression on circuit board
- Easy installation 4-position quick connect terminal block
- Multiple programming options for key release
- Automatically re-locks key after configurable release period (3 to 20 seconds) expires
- 90 and 60 degree mounting bracket options



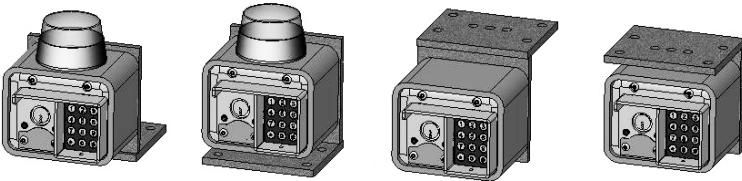
## Mounting Information



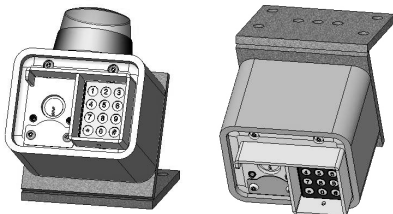
**Mounting** - Use at least four 5/16" diameter grade 5 mounting fasteners (Screen/Carriage Bolts, etc.) to mount housing to vehicle. Do not let fasteners extend too far into the housing (3/8" maximum).



**Optional Mounting Brackets** – Two mounting brackets are available in 90 and 60 degree versions for mounting KeySecure devices in a variety of positions.



**90° Bracket Mounting Configurations**



**60° Bracket Mounting Configurations**

## System Requirements

- PC Minimum requirements:
  - Windows XP or higher operating system
  - 32 bit or 64 bit OS
  - CD ROM and 200 megabytes of free disk space
  - Monitor, at least 1024x768 pixels or higher
  - At least one USB port for communication with KeySecure unit
- Administrator software (required) with a Knox USB Cable
- Optional AC adapter to power unit when KeySecure not mounted in vehicle. Great for testing, initial setup and communication with PC.

## System Model Reference

Model	Description
2610	KeySecure 1 Base Unit
2611	KeySecure 1 with Blue Strobe Light
2650	KeySecure 3b USB with Audit Trail
2651	KeySecure 3b USB with Blue Strobe & Audit Trail
2651	KeySecure 3b USB with Red Strobe & Audit Trail
2653	KeySecure 3b USB with Amber Strobe & Audit Trail
9001	Administrator Software with USB Cable
2695	Mounting Bracket 90° Angle
2696	Mounting Bracket 60° Angle
91088	Data Cable for KeySecure USB
1031	Radio Tech Key
2680	Wall Mount 12 VDC AC Adapter

### Knox® Rapid Entry System

The Knox Company manufactures a complete line of high security products including Knox-Box key boxes, key vaults, cabinets, key switches, padlocks, locking FDC plugs and electronic master key security systems. For more information or technical assistance, please call Customer Service at 1-800-552-5669.