

### High Security Residential Key Box



The 1650 Series KNOX-BOX<sup>®</sup> key box was developed to secure residential entrance keys. Knox Residential is used for fire, police and medical emergency entry in gated communities, single family residences and apartment complexes. The residential key box is also available with a door-hanging bracket for emergency medical access during temporary convalescence.

### Features and Benefits

- Holds up to 2 keys in interior compartment
- Ensures high security with UL Listed Medeco lock
- Includes a Knox-Coat<sup>®</sup> proprietary finishing process that protects Knox products up to four times better than standard powder coat
- Resists moist conditions with a weather resistant door gasket
- Colors: Black, Dark Bronze, Aluminum
- Weight: 7 lbs.

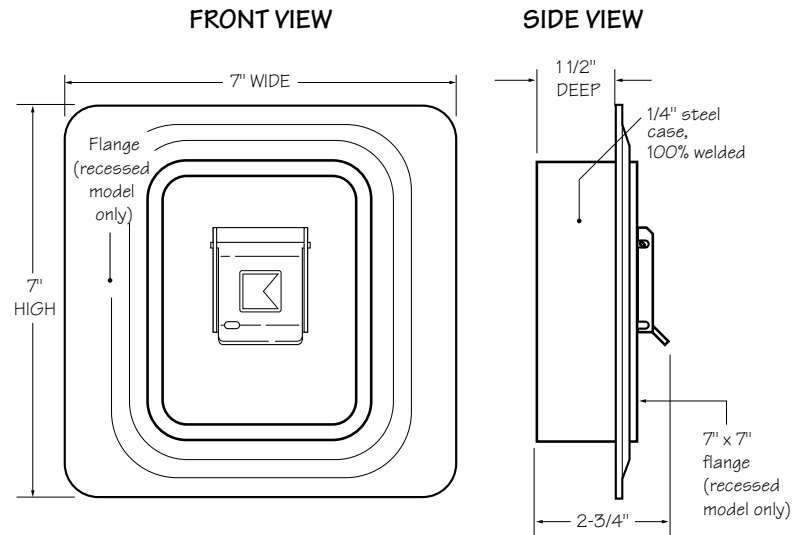
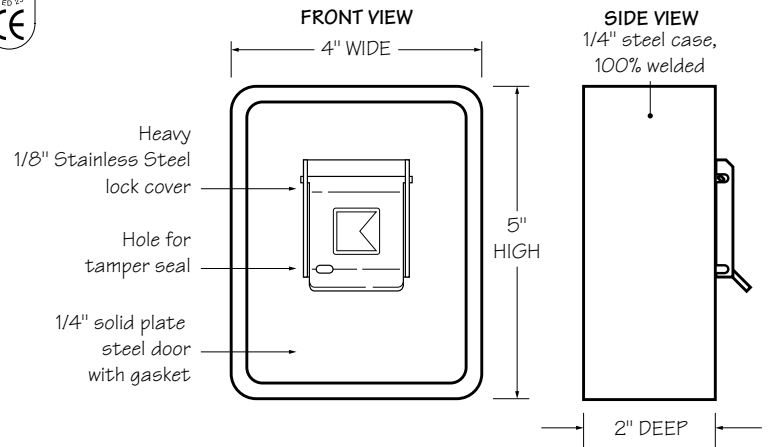
### Options

- Alarm Tamper Switch (UL Listed)
- Door bracket for hanging over 1-7/8" door for temporary applications
- Recessed Mounting Kit

**Attention: KNOX-BOX<sup>®</sup> key box is a very strong device that MUST be mounted properly to ensure maximum security and resist physical attack.**

#### Knox<sup>®</sup> Rapid Entry System

The Knox Company manufactures a complete line of high security products including Knox-Box key boxes, key vaults, cabinets, key switches, padlocks, locking FDC caps, plugs and electronic master key security systems. For more information or technical assistance, please call Customer Service at 1-800-552-5669.



**Note: For commercial applications, see 3200 Series Knox-Box<sup>®</sup> or 4400 Series Knox-Vault<sup>™</sup>.**

### Ordering Specifications

**To insure procurement and delivery of the 1650 Series KNOX-BOX lift-off door model, it is suggested that the following specification paragraph be used:**

**KNOX-BOX** surface or door mount. 1/4" plate steel housing, 1/4" thick steel door with interior gasket seal. Box and lock UL<sup>®</sup> Listed. Lock has 1/8" stainless steel dust cover with tamper seal mounting capability.

Exterior Dimensions: Surface mount - 5"H x 4"W x 2-3/4"D  
Door hanger - 5"H x 4"W x 2-3/4"D  
Recessed - 7" x 7" (flange)

Lock: UL Listed. Double-action rotating tumblers and hardened steel pins accessed by a biased cut key.

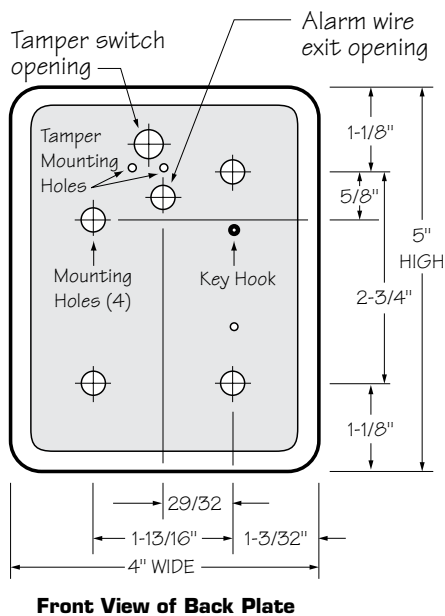
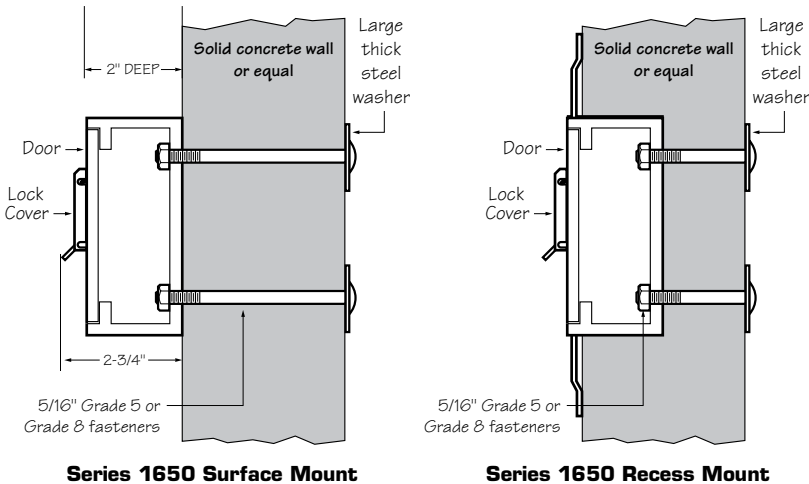
Finish: Knox-Coat<sup>®</sup> proprietary finishing process

Colors: Black, Dark Bronze, Aluminum

P/N: 1650 Series KNOX-BOX (mfr's cat. ID)

Mfr's Name: **KNOX COMPANY**

**Suggested minimum mounting height  
6 feet above ground**



**Attention: KNOX-BOX<sup>®</sup> is a very strong device that MUST be mounted properly to ensure maximum security and resist physical attack.**

**Knox<sup>®</sup> Rapid Entry System**

The Knox Company manufactures a complete line of high security products including Knox-Box key boxes, key vaults, cabinets, key switches, padlocks, locking FDC caps, plugs and electronic master key security systems. For more information or technical assistance, please call Customer Service at 1-800-552-5669.

**Recessed Mounting Kit**

The 1650 Recessed Mounting Kit (RMK) is used for recessed models only. It contains a shell housing and mounting hardware to be cast-in-place in new concrete or masonry construction. After construction is completed, the KNOX-BOX mounts inside the RMK. The RMK may only be used in new concrete or masonry construction.

**Installation In Cast Concrete**

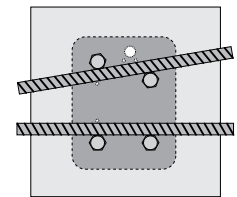
The optional Recessed Mounting Kit is for use in new concrete or masonry construction only. The kit includes a shell housing and mounting hardware to be cast-in-place. The KNOX-BOX is mounted into the shell housing after construction is completed.

**Dimensions**

Rough-in Dimensions: 6-1/2"H x 6-1/2"W x 5"D

**IMPORTANT:** Care should be taken to insure that the front of the RMK shell housing, including the cover plate and screw heads, is flush with the finish wall. The RMK must be plumbed to insure vertical alignment of the vault.

**REAR VIEW showing orientation of RMK to Lift-Off Residential Knox-Box Backplate**



**Recessed Mounting Using Recessed Mounting Kit (RMK)**

