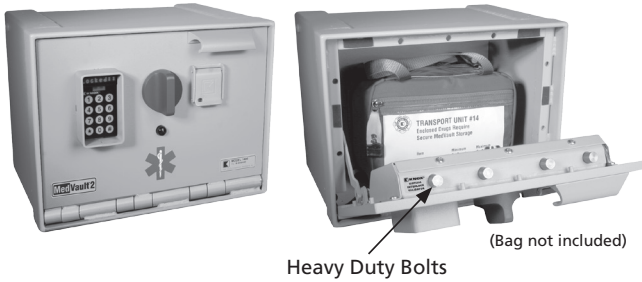


High Security Narcotics Locker



Emergency medical narcotic access can be controlled and its access audited with the Knox MedVault 2. With this drug locker, controlled substances are secured until authorized personnel access them with their unique PIN code. An audit trail showing the time, date and PIN code is recorded each time the vault is opened. This audit trail is collected via a USB port or from the convenience of the administrator's office with optional WiFi/Ethernet connectivity. This unit is specifically designed and constructed for mounting in a rescue vehicle.

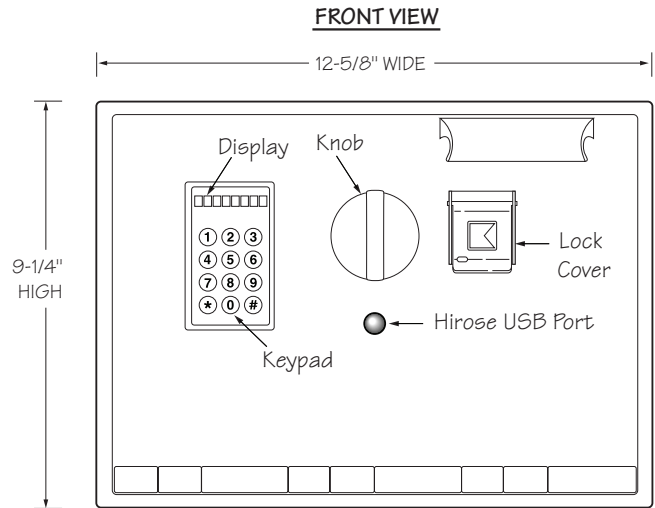
Features and Benefits

- Audit trail stores 25,000 events
- Room for 1 to 5,000 unique PIN codes
- Light weight construction designed for use in vehicles
- Manual Key override
- Knox Administration Software
- Ship Weight = 22 lbs
- Net Weight = 18 lbs
- Interior Dimensions = 7-1/2 H x 10-3/4 W x 6-1/2 D

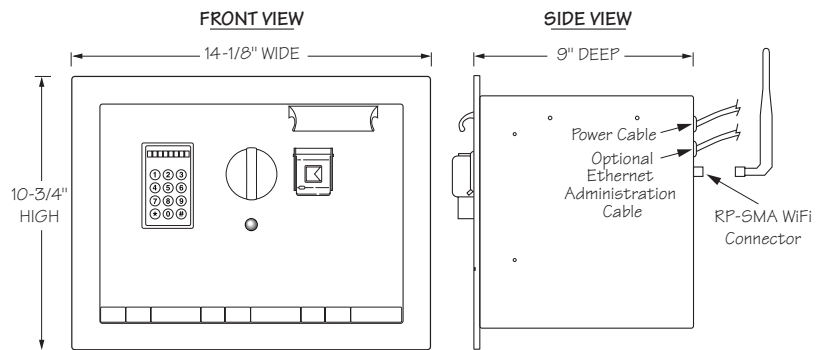
Options

- Available in surface and recessed configurations
- WiFi Ready
- WiFi enabled
- Interior LED Lamp
- Floor mount version

Knox® Rapid Entry System
The Knox Company manufactures a complete line of high security products including Knox-Box key boxes, key vaults, cabinets, key switches, padlocks, locking FDC plugs and caps and electronic master key security systems. For more information or technical assistance, please call Customer Service at 1-800-552-5669.



5520 Surface Mount



5520 Recessed Mount

Ordering Specifications

To ensure procurement and delivery of the 5520 Series Knox MedVault 2, it is suggested that the following specification paragraph be used:

KNOX MedVault surface/recessed unit, heavy aluminum, all welded housing and door. Override lock has 1/8" stainless steel dust cover with tamper seal mounting capability. Unit provides self-contained retention of controlled substances or other items activated by authorized PIN code entry into unit keypad with complete audit trail capability via USB or WiFi/Ethernet connectivity.

- Exterior Dimensions: Surface mount – 9-1/4" H x 12-5/8" W x 9" D
Recessed mount flange – 10-3/4" H x 14-1/8" W
- Lock: UL Listed. Double-action rotating tumblers with hardened steel pins accessed by a proprietary coded biased cut key.
- Finish: Powder coating
Finish Color - Grey
- P/N: 5520 Series Knox MedVault (mfr's cat. ID)
- Mfr's Name: **KNOX COMPANY**