

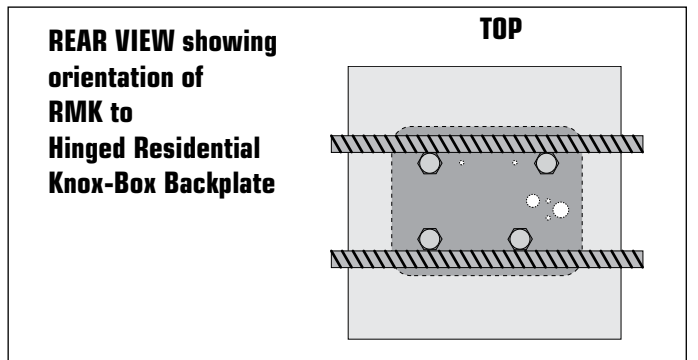
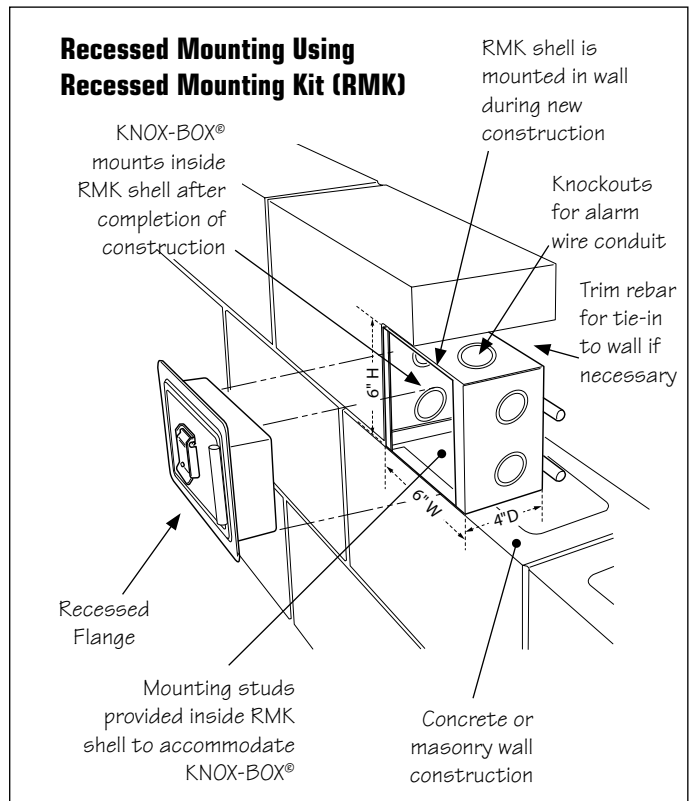
## Recessed Mounting Kit (RMK)

The optional Recessed Mounting Kit is for use in new concrete or masonry construction only. The kit includes a shell housing and mounting hardware to be cast-in-place. The KNOX-BOX is mounted into the shell housing after construction is completed.

Rough-in Dimensions: 6-1/2"H x 6-1/2"W x 5"D

**Installation:** Mounting kit may be fastened to inside wall of a concrete form or set in place during masonry wall construction. Wiring conduit may be connected through knock-out hole(s) in the shell housing.

**IMPORTANT:** Take care to make sure that the front of the shell housing, including the cover plate and screw heads, are flush with the finish wall. Leave cover and screws in place until the KNOX-BOX is ready for mounting inside. The four (4) mounting studs may be replaced with Grade 5 or Grade 8 bolts or longer studs if required. Two (2) long sheet metal screws are provided for attachment of shell housing to the inside of a concrete form. With the housing held firmly in place, drill two (2) 1/8" holes through the form wall and the housing front cover. Insert screws and pull housing tight against form wall. Remove screws before removing form.



## Knox® Rapid Entry System

The Knox Company manufactures a complete line of high security products including Knox-Box® key boxes, key vaults, armored cabinets, key switches, padlocks and electronic master key retention devices.

For information and technical assistance, call:  
**800-552-5669**

## MOUNTING INSTRUCTIONS

1650 Series  
Residential KNOX-BOX®

Hinged Door  
Surface and Recess Mount

Issue Date: September 2008



1601 W. Deer Valley Road, Phoenix, AZ 85027  
800-552-5669 • Fax 623-687-2299  
E-mail: info@knoxbox.com

## MOUNTING INSTRUCTIONS

1650 Series  
Residential KNOX-BOX®

Hinged Door  
Surface and Recess Mount

Issue Date: September 2008



1601 W. Deer Valley Road, Phoenix, AZ 85027  
800-552-5669 • Fax 623-687-2299  
E-mail: info@knoxbox.com

# MOUNTING INSTRUCTIONS

## 1650 Series Residential KNOX-BOX®

### Hinged Door Model



#### Read instructions carefully before mounting.

The 1650 Series Residential KNOX-BOX® key box was developed to secure residential entrance keys. Each key box is coated with the Knox-Coat® proprietary finishing process\* and includes a 1/8" thick stainless steel dust cover to protect the lock. The Residential KNOX-BOX is fully tested and listed under three (3) UL listings.

KNOX-BOX is inherently a very strong device that must be mounted properly to ensure maximum security. A limit of two keys may be hung on the inside key hook. THE UNIT WILL NOT HOLD MORE THAN TWO KEYS.

#### Mounting Instructions for Surface Model 1658

1. Always mount KNOX-BOX to a secure, solid wall, beam or post in an area sheltered from excessive moisture (see Figure 1). For fire department use, consult your fire department for other mounting requirements such as height and placement on the building. A six-foot height is recommended to resist vandalism.
2. Position the KNOX-BOX with the green mounting markers pointed up so the small moisture drain hole is on the bottom. **Remove** the green markers after installation.
3. After using a small level to plumb the box square, install the box using at least four (4) Grade 5 or Grade 8 fasteners (carriage bolts, etc.) of 5/16" diameter. Units must be mounted on solid studs or steel supports, or they may be welded into place. **DO NOT MOUNT FACE DOWN FROM CEILING OR OVERHANG.** This position may cause contents to jam lock.
4. Caulk the back, sides and top between the wall and the box for waterproofing, leaving the bottom open for drainage.
5. Use of a professional locksmith or licensed alarm products installer is **highly recommended in order to provide the secure mounting that is required to achieve a high level of overall security.**

#### Mounting Instructions for Door Bracket Model 1659

1. Place the Residential KNOX-BOX with hanger over the top of the entry door. Position the unit on the hinged side of the door.
2. Check to see that the hanger does not interfere with the door weather seal.
3. For semi-permanent installation, fasten hanger to door with small screws or nails to prevent removal.
4. To convert the door-hanging model to a surface-mounted model, remove the door bracket and mount per instructions for Model 1658 above.

**IMPORTANT:** When your Residential KNOX-BOX is for fire department use and the mounting process is complete, contact your local fire department to inform them the box is ready for lock up. They have the only key.

For private, industrial or commercial use: Keys are always sent separately for best security.

**Attention: KNOX-BOX is a very strong device that MUST be mounted properly to ensure maximum security and resist physical vandalism.**



Model 1658



Model 1659

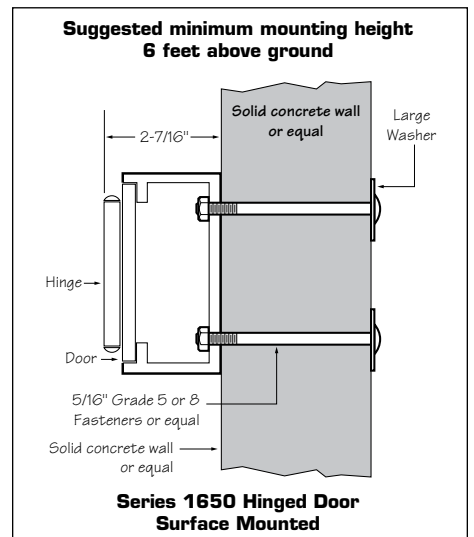


Figure 1

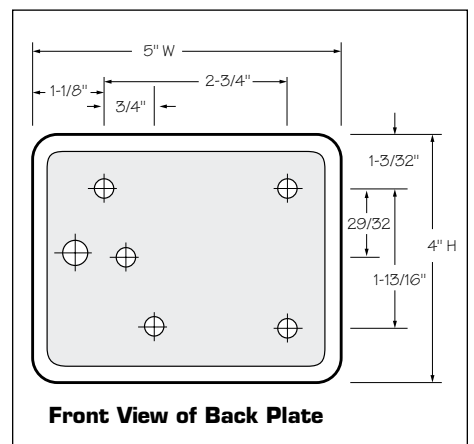


Figure 2

\* Knox-Coat is a proprietary finishing process that protects Knox products up to four times better than standard powder coat.

