

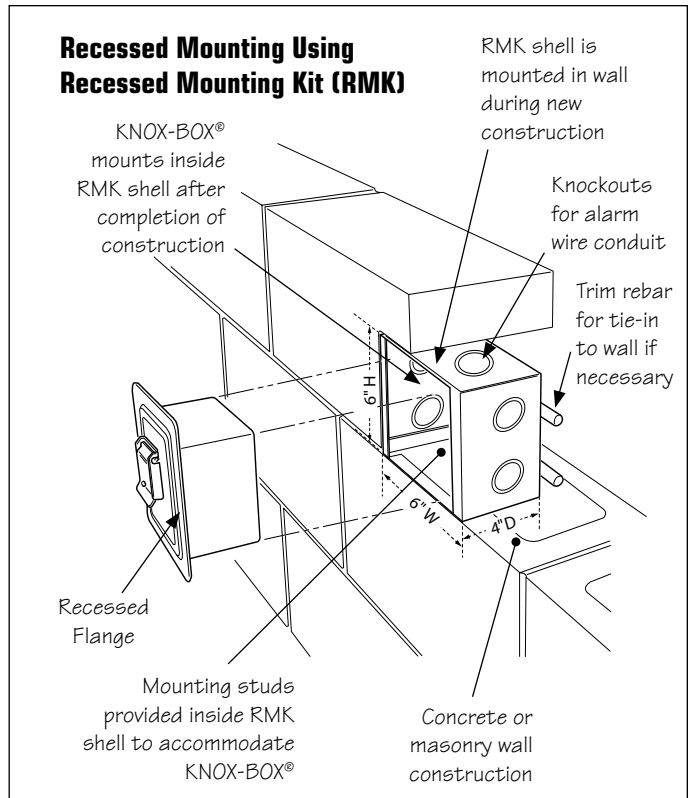
## Recessed Mounting Kit (RMK)

The optional Recessed Mounting Kit is for use in new concrete or masonry construction only. The kit includes a shell housing and mounting hardware to be cast-in-place. The KNOX-BOX is mounted into the shell housing after construction is completed.

Rough-in Dimensions: 6-1/2"H x 6-1/2"W x 5"D

**Installation:** Mounting kit may be fastened to inside wall of a concrete form or set in place during masonry wall construction. Wiring conduit may be connected through knock-out hole(s) in the shell housing.

**IMPORTANT:** Take care to make sure that the front of the shell housing, including the cover plate and screw heads, are flush with the finish wall. Leave cover and screws in place until the KNOX-BOX is ready for mounting inside. The four (4) mounting studs may be replaced with Grade 5 or Grade 8 bolts or longer studs if required. Two (2) long sheet metal screws are provided for attachment of shell housing to the inside of a concrete form. With the housing held firmly in place, drill two (2) 1/8" holes through the form wall and the housing front cover. Insert screws and pull housing tight against form wall. Remove screws before removing form.



## MOUNTING INSTRUCTIONS

KNOX-BOX® 3200 Series

Hinged Door Models

Surface and Recess Mounted

Issue Date: July 2006



1601 W. Deer Valley Road, Phoenix, AZ 85027  
800-552-5669 • Fax 623-687-2299  
E-mail: [info@knoxbox.com](mailto:info@knoxbox.com)

## MOUNTING INSTRUCTIONS

KNOX-BOX® 3200 Series

Hinged Door Models

Surface and Recess Mounted

Issue Date: July 2006



1601 W. Deer Valley Road, Phoenix, AZ 85027  
800-552-5669 • Fax 623-687-2299  
E-mail: [info@knoxbox.com](mailto:info@knoxbox.com)



## Knox® Rapid Entry System

The Knox Company manufactures a complete line of high security products including Knox-Box® key boxes, key vaults, armored cabinets, key switches, padlocks and electronic master key retention devices.

For information and technical assistance, call:

**800-552-5669**

# MOUNTING INSTRUCTIONS

## KNOX-BOX® 3200 Series with Hinged Door



### Read instructions carefully before mounting.

The 3200 Series KNOX-BOX® is a heavy-duty, high-security key box that stores keys, access cards and other small items. Each key box is coated with the Knox-Coat® proprietary finishing process\* and includes a 1/8" thick stainless steel dust cover to protect the lock. For maximum security, mount the unit properly in an area sheltered from excessive moisture.

All 3200 Series Knox-Boxes are fully tested and listed by Underwriters Laboratories as anti-theft devices. Alarm tamper switches are UL listed as Central Station Alarm Units. UL Electrical Range: Max Voltage of 24 VDC at 50 mA.

### Surface Mounted Models

Surface models are designed for mounting on a flat wall. Do not mount face down from ceiling or overhang area. When the surface mounted KNOX-BOX includes tamper switches, install the tamper switch assembly after the box is mounted and check to see that the "box to wall" tamper plunger is properly depressed. A qualified alarm installer should perform alarm wiring, testing and adjusting.

### Recess Mounted Models

Recess models are designed for flush mounting. Do not mount face down from ceiling or overhang area. Units can be adapted to fit a variety of solid walls cored to a 6" diameter approximately 3 1/2" deep. A Recessed Mounting Kit (RMK) is for new concrete or masonry walls under construction. Do not over tighten mounting bolts as this will distort the flange.

When the recess mounted KNOX-BOX includes a door tamper switch, install the tamper switch assembly after the box is mounted. Pull wiring tight so that any attempts to force the box out of the wall will break the wire or pull the terminals loose. A qualified alarm installer should perform alarm wiring, testing and adjusting.

If installing the box on a thin or hollow wall, use a solid backing (like 3/8" steel plate fastened to solid studs on both sides) for secure mounting. Mounting to solid beams or steel support is best. Use of a professional installer is highly recommended.

### General Mounting Instructions

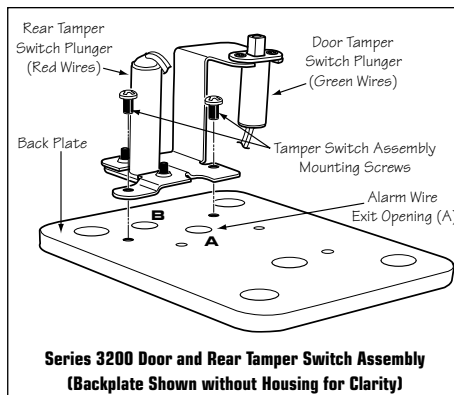
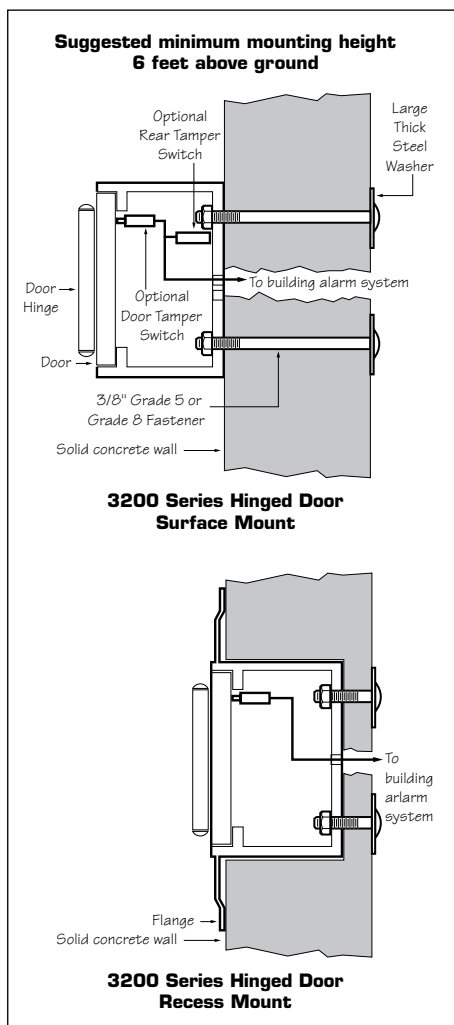
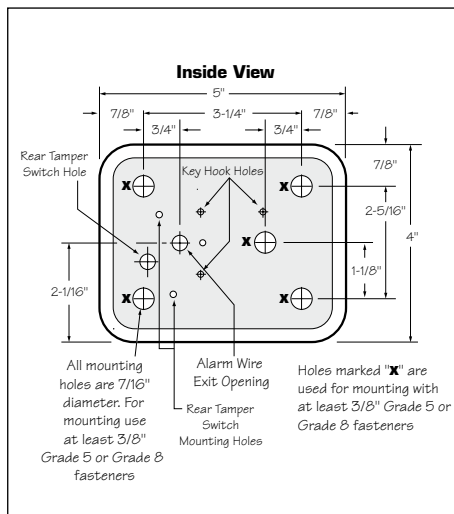
1. For units with tamper switches, remove the tamper switch assembly and set aside for installation after the box is mounted.
2. Always mount your KNOX-BOX to a secure, solid wall, beam or post. A six foot height level is recommended to resist vandalism.
3. Use a small level to plumb the box square.
4. Mount the KNOX-BOX with the green mounting markers pointed up so the small moisture drain hole is on the bottom. Remove green markers after installation.
5. Use at least four (4) Grade 5 or Grade 8 fasteners (carriage bolts, etc.) of 3/8" diameter. Units may also be welded into place. Mounting to solid beams or steel supports is best. Mounting face down from ceiling or overhang area may cause contents to jam lock.
6. For proper weatherproofing, caulk the back of box across top and down each side. Leave the bottom open for drainage.
7. Use of a professional locksmith or alarm products installer is highly recommended.

**CAUTION!** Be extremely careful when handling this KNOX-BOX prior to installation. When not mounted, the door will be OPEN. Always hold box and door securely to prevent door closing on fingers and causing injury.

### Box Lock Up

When your KNOX-BOX is for fire department use, contact your local fire department after installation to inform them that the box is ready for lock up. They have the only key.

For private, industrial or commercial use: keys will be sent separately to address requested.



\* Knox-Coat is a proprietary finishing process that protects Knox products up to four times better than standard powder coat.

