

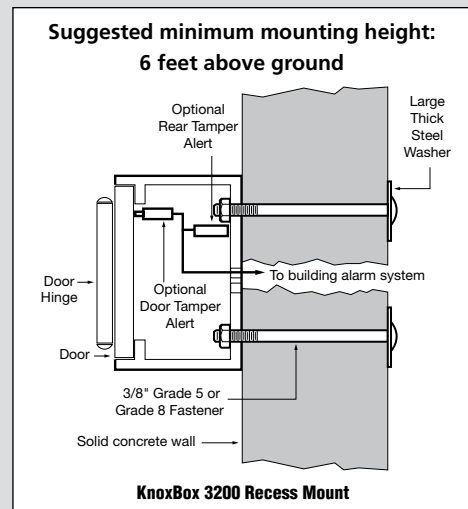
MOUNTING INSTRUCTIONS – KNOXBOX™ 3200 – ALL MODELS

Installation of this product should be performed only by individuals skilled in the use of the tools and equipment necessary for installation. If you have any doubt concerning your competence or expertise, consult a qualified expert to perform the installation.

Surface Mounted Models

Surface models are designed for mounting on a flat wall.

Do not mount face down from ceiling or overhang area. Install the tamper alert assembly after the box is mounted and check to see that the "box to wall" tamper plunger is properly depressed. A qualified alarm installer should perform alarm wiring, testing and adjusting.

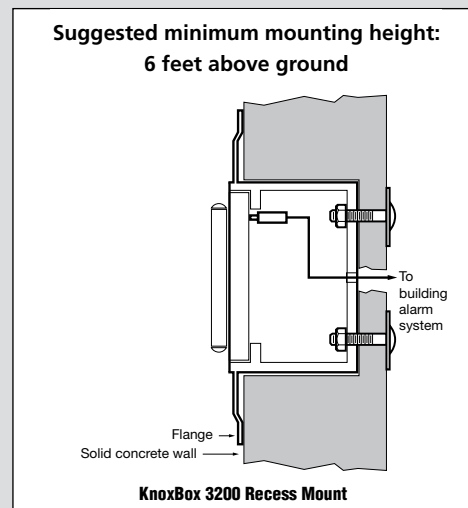


Recess Mounted Models

Recess models are designed for flush mounting. Do not mount face down from ceiling or overhang area. Units can be adapted to fit a variety of solid walls cored to a 6" diameter approximately 3 1/2" deep. A Recess Mounting Kit (RMK) is for new concrete or masonry walls under construction. Do not over tighten mounting bolts as this will distort the flange.

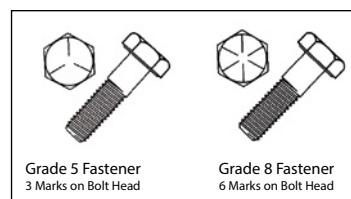
Install the tamper alert assembly after the box is mounted. Pull wiring tight so that any attempts to force the box out of the wall will break the wire or pull the terminals loose. A qualified alarm installer should perform alarm wiring, testing and adjusting.

If installing the KnoxBox on a thin or hollow wall, use a solid backing (like 3/8" steel plate fastened to solid studs on both sides) for secure mounting. Mounting to solid beams or steel support is best.



General Mounting Instructions

- 1** For Hinged Door Models: **CAUTION!** Be extremely careful when handling this KnoxBox prior to installation. When not mounted, the door will be OPEN. Always hold box and door securely to prevent door closing on fingers and causing injury. **Tamper Alert:** Remove the tamper alert assembly and set aside for installation after the box is mounted.
- 2** Always mount your KnoxBox to a secure, solid wall, beam or post.
- 3** Use a small level to plumb the box square.
- 4** Mount the KnoxBox so the small moisture drain hole inside of the vault is on the bottom.
- 5** Use at least four (4) Grade 5 or Grade 8 fasteners (carriage bolts, etc.) of 3/8" diameter. Units may also be welded into place. Mounting to solid beams or steel supports is best. Mounting face down from ceiling or overhang area may cause contents to jam lock.



- 6** For proper weatherproofing, caulk the back of box across top and down each side. Leave the bottom open for drainage.
- 7** Use of a professional locksmith or alarm products installer is highly recommended.

Box Lock Up

When your KnoxBox is for fire department use, contact your local fire department after installation to inform them that the box is ready for lock up. They have the only key.

For private, industrial or commercial use: keys will be sent separately to address requested.



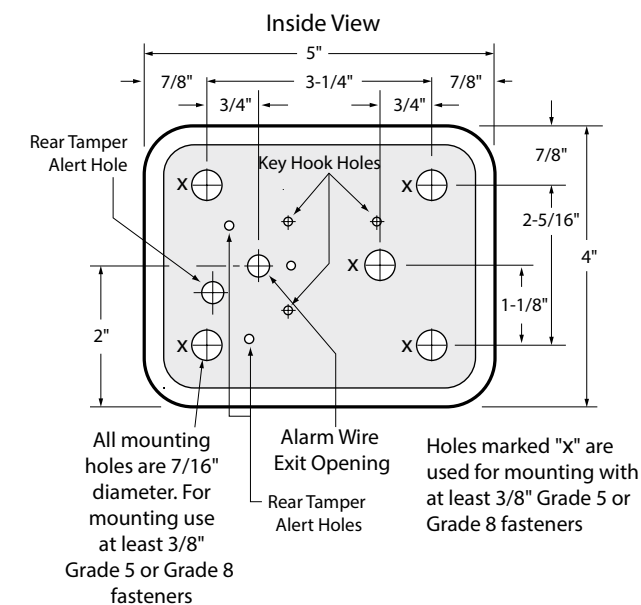
All KnoxBox 3200 units are fully tested and listed by Underwriters Laboratories as anti-theft devices. Alarm tamper alerts are UL listed as Central Station Alarm Units. UL Electrical Range: Max Voltage of 24 VDC at 50 mA.

HINGED DOOR MODELS



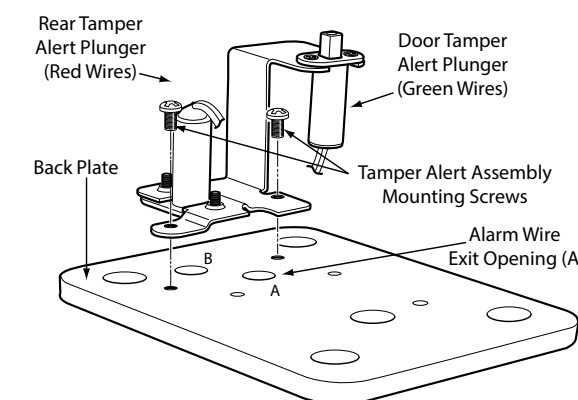
KnoxBox 3200 Recessed

(Models 3262, 3264, 3266, 3271, 3273, 3275)



All mounting holes are 7/16" diameter. For mounting use at least 3/8" Grade 5 or Grade 8 fasteners

TAMPER ALERT ASSEMBLY



KnoxBox 3200 Door and Rear Tamper Alert Assembly (Backplate Shown without Housing for Clarity)

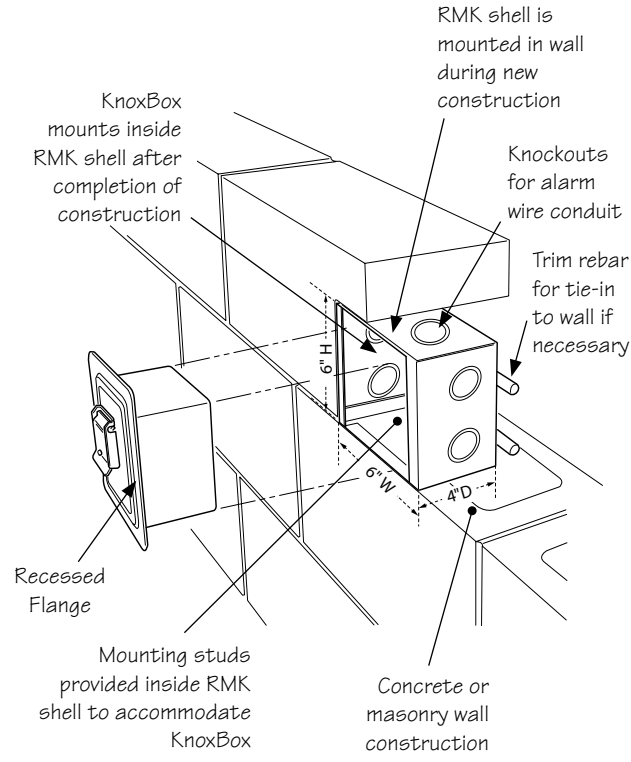
RECESSED MOUNTING USING RECESS MOUNTING KIT (RMK)

The optional Recess Mounting Kit is for use in new concrete or masonry construction only. The kit includes a shell housing and mounting hardware to be cast-in-place. The KnoxBox is mounted into the shell housing after construction is completed.

Rough-in Dimensions: 6-1/2"H x 6-1/2"W x 5"D

Installation: Mounting kit may be fastened to inside wall of a concrete form or set in place during masonry wall construction. Wiring conduit may be connected through knock-out hole(s) in the shell housing.

IMPORTANT: Take care to make sure that the front of the shell housing, including the cover plate and screw heads, are flush with the finish wall. Leave cover and screws in place until the KnoxBox is ready for mounting inside. The four (4) mounting studs may be replaced with Grade 5 or Grade 8 bolts or longer studs if required. Two (2) long sheet metal screws are provided for attachment of shell housing to the inside of a concrete form. With the housing held firmly in place, drill two (2) 1/8" holes through the form wall and the housing front cover. Insert screws and pull housing tight against form wall. Remove screws before removing form.



The KnoxBox 3200 is a heavy-duty, high-security key box that stores keys, access cards and other small items. Each key box is coated with the Knox-Coat® proprietary finishing process* and includes a 1/8" thick stainless steel dust cover to protect the lock. For maximum security, mount the unit properly in an area sheltered from excessive moisture.

This box is protected by **KNOX-COAT®** Four times better than standard powder coat.

* Knox-Coat is a proprietary finishing process that protects Knox products up to four times better than standard powder coat.

READ INSTRUCTIONS CAREFULLY BEFORE MOUNTING

Read all instructions carefully before beginning installation. This unit must be installed by a qualified installer and in accordance with applicable local codes and ordinances that govern this type of equipment. Failure to properly mount the device per the installation instructions will compromise the security of the device. The KnoxBox 3200 is an inherently strong device with many security features designed into the unit. However, careless installation with inadequate fasteners, flimsy mounting surfaces or improper mounting height can result in a security failure of the unit. Knox highly recommends that the device tamper alert be connected to the building's burglar alarm system for the highest level of security.

STOP WARNING

WARNING Read all instructions carefully before beginning installation. This unit must be installed by a qualified installer and in accordance with applicable local codes and ordinances that govern this type of equipment. Failure to properly mount the device per the installation instructions will compromise the security of the device. The KnoxBox 3200 is an inherently strong device with many security features designed into the unit. However, careless installation with inadequate fasteners, flimsy mounting surfaces or improper mounting height can result in a security failure of the unit. Knox highly recommends that the device tamper alert be connected to the building's burglar alarm system for the highest level of security.

MOUNTING INSTRUCTIONS

KNOXBOX™ 3200

Issue Date: December 2017



1601 W. Deer Valley Road, Phoenix, AZ 85027
800-552-5669 • Fax 623-687-2290
info@knoxbox.com

0PE-KBPEC-0034-D

READ INSTRUCTIONS CAREFULLY BEFORE MOUNTING

The KnoxBox 3200 is a heavy-duty, high-security key box that stores keys, access cards and other small items. Each key box is coated with the Knox-Coat® proprietary finishing process* and includes a 1/8" thick stainless steel dust cover to protect the lock. For maximum security, mount the unit properly in an area sheltered from excessive moisture.

This box is protected by **KNOX-COAT®** Four times better than standard powder coat.

* Knox-Coat is a proprietary finishing process that protects Knox products up to four times better than standard powder coat.

STOP WARNING

MOUNTING INSTRUCTIONS

KnoxBox™ 3200

Issue Date: December 2017



1601 W. Deer Valley Road, Phoenix, AZ 85027
800-552-5669 • Fax 623-687-2290
info@knoxbox.com

0PE-KBPEC-0034-D