

This electric switch may be connected to most electric doors including those equipped with Maglock-type locks. Gates and other electrical equipment may also be operated by this switch.

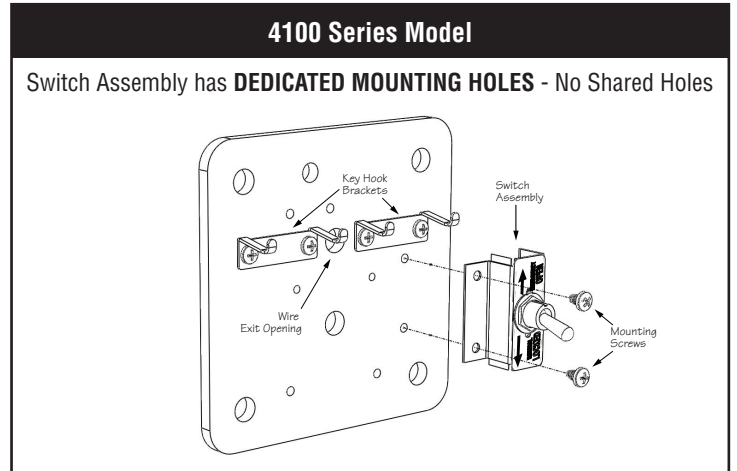
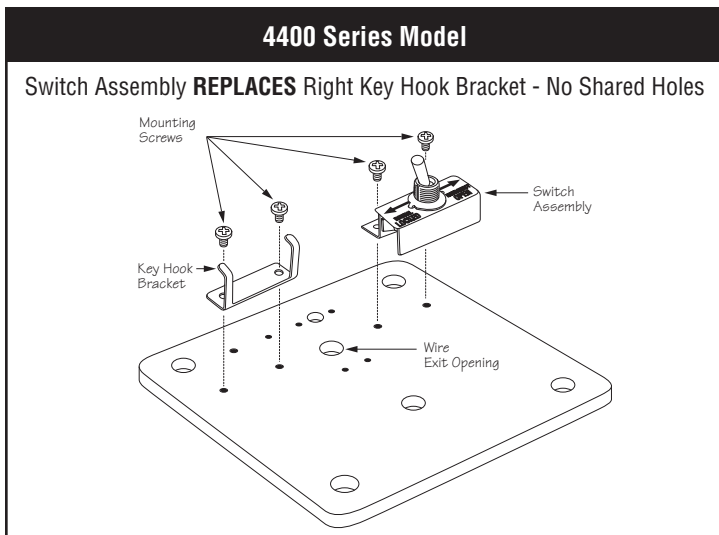
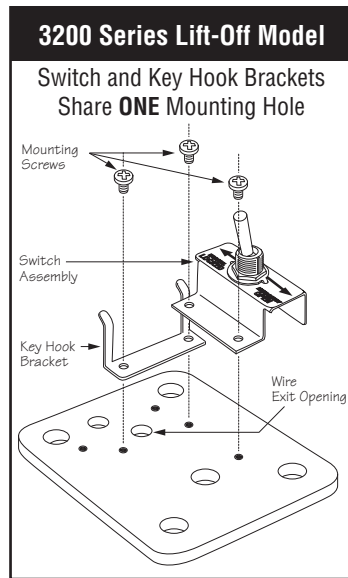
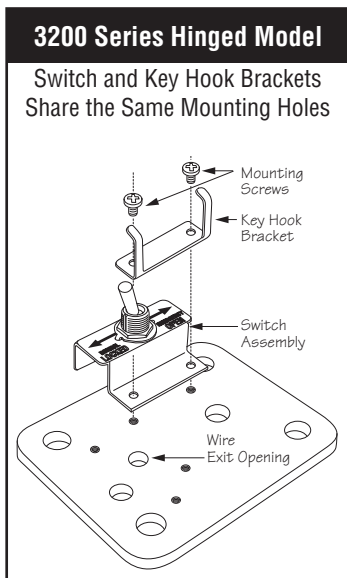
Typically, the switch will be used to unlock electrical doors and gates that are controlled by a low voltage circuit. Other devices may require an intermediate control relay for use with higher voltages.

**The maximum load for this electrical switch is:  
28 Volts AC/DC 5a**

This switch may be retrofitted into all 3200 Series boxes sold since April 2002 and 4400 vaults sold since January 2003 and all 4100 Series boxes.

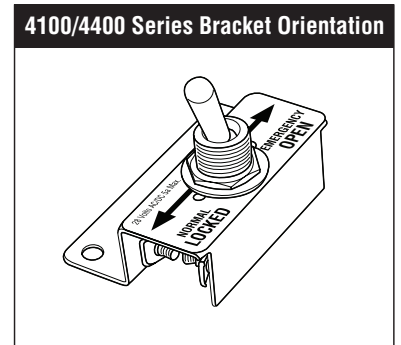
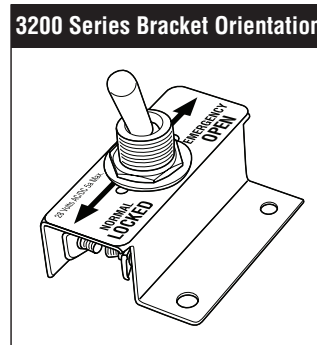
**Mounting Configurations**

ALL BACKPLATES SHOWN WITHOUT HOUSING FOR CLARITY.



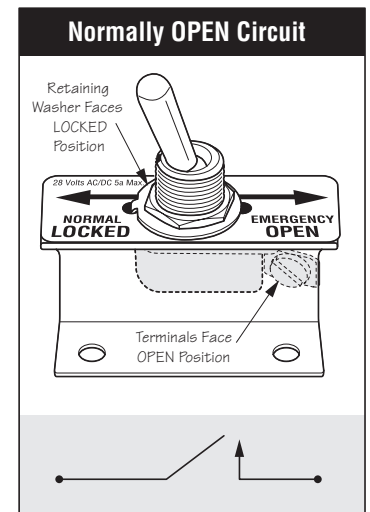
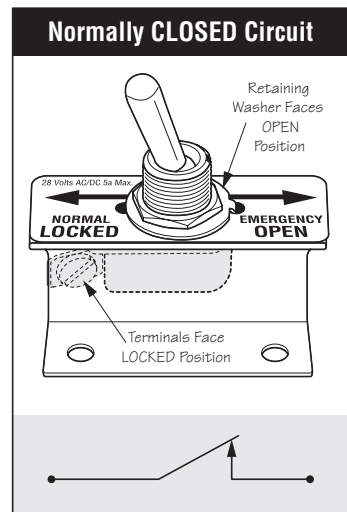
**Mounting Bracket Orientation – 3200 vs. 4100/4400 Series Models**

Please note that the switch and label orientation remain the same, only the bracket is reversed to accommodate mounting differences. The switch can be rotated when installed to allow for normally open or normally closed circuits.



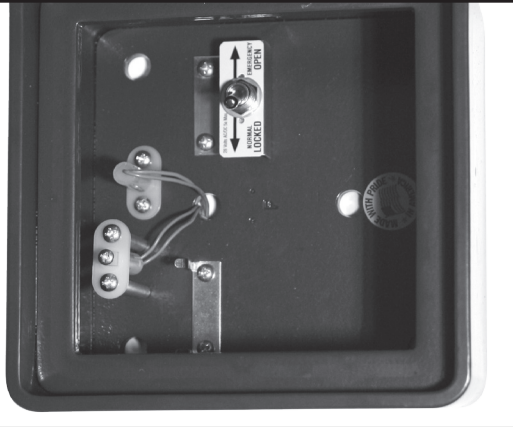
**Normally Opened vs. Normally Closed Switch Operation**

Switch units may be oriented to achieve either a normally opened or normally closed use. Upon installation, the switch must be inserted into its mounting hole so that the switch label will read correctly and the switch circuit will operate correctly when in use.



**4400 Series Model**

With Optional Tamper Switches and Electrical Switch Installed



**4100 Series Model**

With Optional Tamper Switches, Electrical Switch and Keywrench/card holder Installed



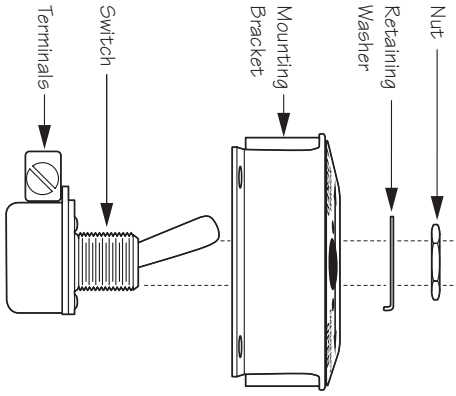
**3200 Series Lift-Off Model**

With Optional Tamper Switches and Electrical Switch Installed



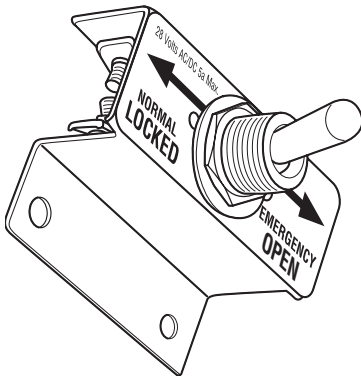
**3200 Series Hinged Model**

With Optional Tamper Switches and Electrical Switch Installed



**Switch Assembly**

The maximum load for this electrical switch is:  
**28 Volts AC/DC 5a**



**Optional electric switch for use in all 3200 and 4100/4400 Knox models.**

**ELECTRICAL SWITCH INSTALLATION INSTRUCTIONS**

For 3200 Series Knox-Box®  
4100 and 4400 Series  
Knox-Vault™

Issue Date: November 2009



1601 W. Deer Valley Road  
Phoenix, AZ 85027  
800-552-5669 • Fax 623-687-2299  
E-mail: info@knoxbox.com

**ELECTRICAL SW**

**ELECTRICAL SWITCH INSTALLATION INSTRUCTIONS**

For 3200 Series Knox-Box®  
4100 and 4400 Series  
Knox-Vault™

Issue Date: November 2009



1601 W. Deer Valley Road  
Phoenix, AZ 85027  
800-552-5669 • Fax 623-687-2299  
E-mail: info@knoxbox.com

**ELECTRICAL SW**