

KNOX RESIDENTIAL BOX™

TAMPER ALERT INSTALLATION INSTRUCTIONS

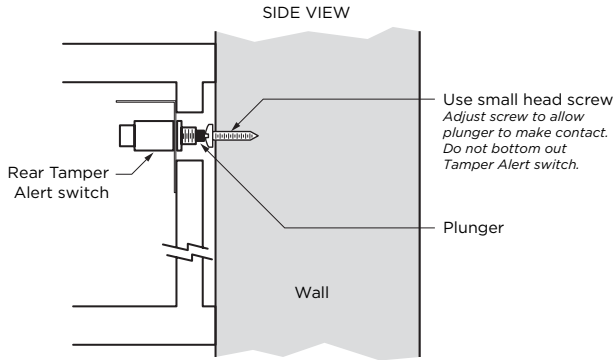


Figure 1

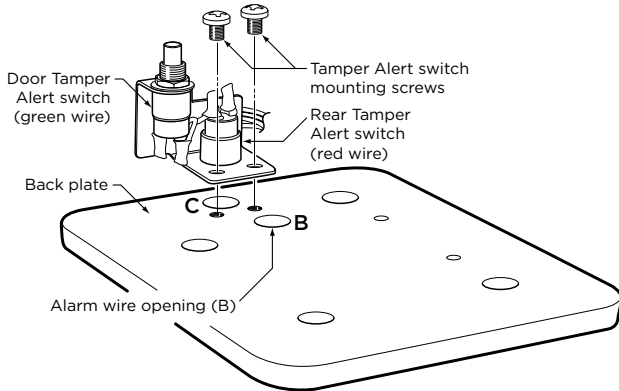


Figure 2

Backplate shown without housing for clarity

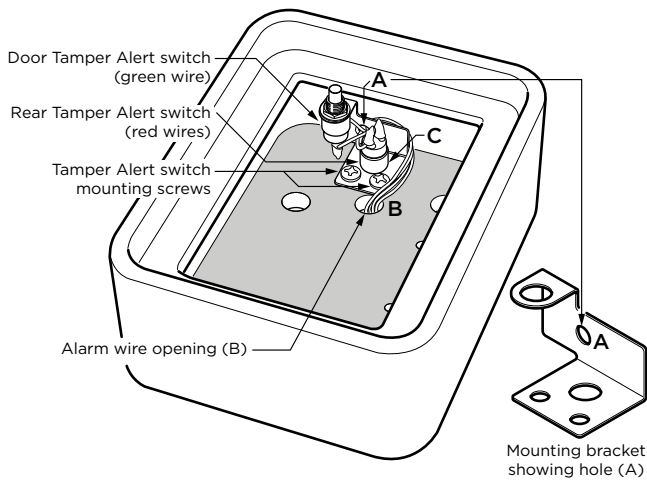


Figure 3

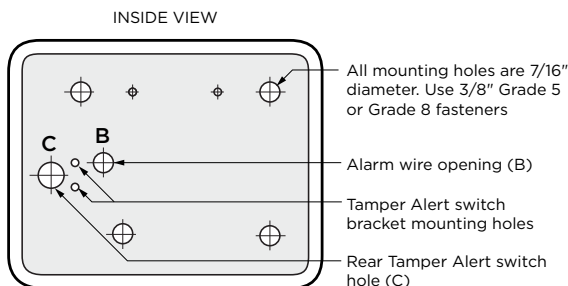


Figure 4

1. The Knox Residential Box Tamper Alert is designed to be connected to an existing alarm system and should be installed only by a qualified alarm technician.
2. Remove Tamper Alert assembly from the Knox Residential Box before mounting the box.
3. Position Knox Residential Box on wall so wires from alarm panel protrude into box through hole (B) in back plate. See Figures 2, 3 and 4.
4. Bolt Knox Residential Box to wall, following directions provided in mounting instructions.

IMPORTANT

Keep Tamper Alert switch hole (C) clear of caulk, debris or other foreign material, otherwise the Tamper Alert may not operate.

5. Insert a screw into the wall through the rear Tamper Alert switch hole (C) on the back plate. Align Rear Tamper Alert plunger in rear Tamper Alert hole (C) as shown in Figure 1 and 2. Check plunger contact by GENTLY pressing the bracket flush to the back plate.

CAUTION

Do not bottom out the Tamper Alert. If the rear Tamper Alert adjustment screw protrudes too far, the Tamper Alert bracket will bend when tightened causing door Tamper Alert switch to fail.

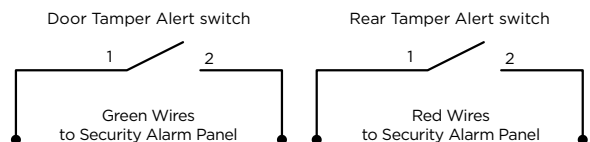
Use of an ohm meter is recommended to assure that switch closes (0 ohms) when bracket is GENTLY pushed flush against the back plate.

Secure the Tamper Alert bracket to the back plate with the provided screws.

6. Route Tamper Alert wires through hole (A) as shown in Figure 3. Wrap wires behind mounting bracket as shown in Figure 3 and tighten Tamper Alert switch mounting screws. Alarm wiring must be fed back through alarm wire opening (B) to prevent interference with lock mechanism.
7. Connect Tamper Alert wires to building alarm. Alarm wiring must be pulled back through the alarm wire opening (B) to prevent interference with door locking mechanism. Green and Red wires must be secured tightly so that if box is removed, wires will be broken in the process, thereby causing alarm activation. In cases where yellow wires are used, the yellow wires should be loosely secured so that if the box is removed, the wire can pull about an inch to allow the alert to close, causing an alert before wires break.

NOTES:

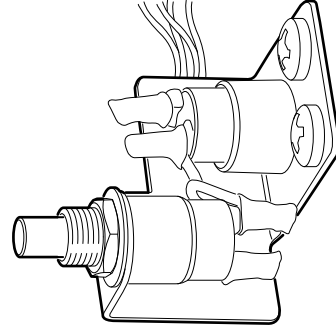
Electrical: maximum 24 V, 50 mA.



Wiring Diagram



KNOX RESIDENTIAL BOX™ TAMPER ALERT INSTALLATION INSTRUCTIONS



KNOX RESIDENTIAL BOX™ TAMPER ALERT INSTALLATION INSTRUCTIONS