

Figure 1: Inside View

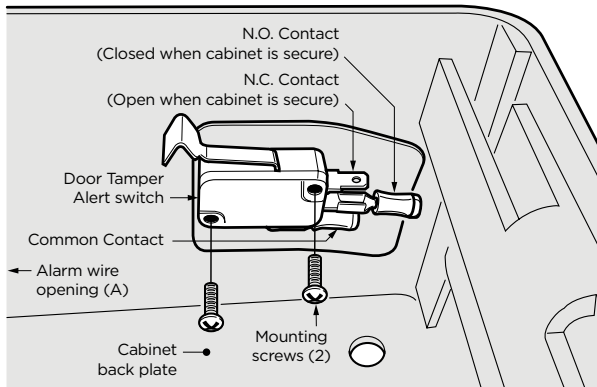


Figure 2: Upper Right Inside Corner

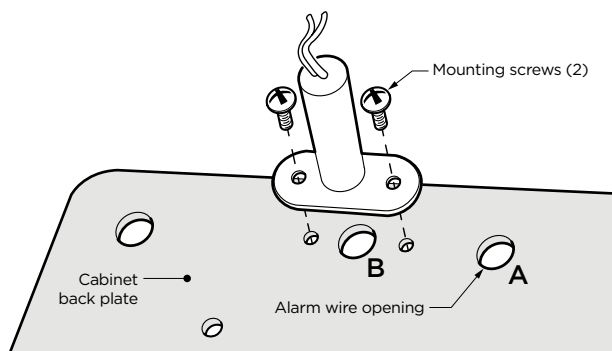


Figure 3: Upper Left Inside Corner
Backplate shown without housing for clarity

1. The Knox Document Cabinet Tamper Alert is designed to be connected to an existing alarm system and should be installed only by a qualified alarm technician.
2. Position the cabinet on wall so wires from alarm panel protrude into cabinet through hole (A) in back plate. See Figures 1 and 3.
3. Bolt Knox Document Cabinet to wall, following directions provided in mounting instructions.

IMPORTANT

Keep Tamper Alert switch hole (B) clear of caulk, debris or other foreign material, otherwise the Tamper Alert may not operate.

4. **Door Tamper Alert switch:** Align door Tamper Alert switch to mounting holes on the inside top, right side of cabinet as shown in Figure 2. Secure door Tamper Alert switch with the provided screws.

Rear Tamper Alert switch: Align rear Tamper Alert plunger in back plate, hole (B), as shown in Figure 1 and 3. Check length of plunger and, if necessary, adjust plunger screw to give proper travel. Check plunger contact by GENTLY pressing the bracket flush against the back plate.

CAUTION

Do not bottom out the Tamper Alert. If the rear Tamper Alert adjustment screw protrudes too far, the rear Tamper Alert switch will break when screws are tightened.

Use of an ohm meter is recommended to assure that switch trips (0 ohms – for red/green wire, open for yellow wire) when Tamper Alert switch is GENTLY pushed flush against the back plate.

Secure the rear Tamper Alert switch to the back plate with the provided screws.

5. Connect Tamper Alert wires to building alarm. Alarm wiring must be pulled back through the alarm wire opening (A) to prevent interference with door locking mechanism. Green and Red wires must be secured tightly so that if cabinet is removed, wires will be broken in the process, thereby causing alarm activation. In cases where yellow wires are used, the yellow wires should be loosely secured so that if box is removed, the wire can pull about an inch to allow the Tamper Alert switch to close, causing an alert before the wires break.

NOTES:

- A. Electrical: maximum 24 V, 50 mA.
- B. Red wires indicate Normally Open (N.O.) Switch (Closed when cabinet is secure)
- C. Yellow wires indicate Normally Closed (N.C.) Switch (Open when cabinet is secure)