

The Knox eLock System®, an electronic rapid access solution, is enhanced with KeySecure 6, the master key retention that is heightened with new security, comprehensive accountability, and support capabilities.

Programmed by KnoxConnect® Management System, a cloud-based software used to sync and manage system users, data, and devices, the Knox KeySecure 6 holds one Knox eKey and can also hold one mechanical Knox Master key as departments transition to the new electronic system. All administrative functions are completed in KnoxConnect. The KeySecure 6 communicates to KnoxConnect using either WiFi or Ethernet connectivity to sync electronic device activities and make automatic updates to the KeySecure device.



## PRODUCT SPECIFICATIONS

**Operating Temperature:** -20° to +60° C

**Storage Temperature:** -20° to +60° C

**Power:** Vehicle 7-amp 12-volt DC power supply or AC adapter 7-amp 12-volt

**Initial Power Stabilization Time:** Up to 5 seconds

**Construction:** Die-casted zinc

**Product Weight:** 8.0 lbs.

**Product Dimension:** 6.0"H x 4-1/4"W x 3-1/2"D

**Product with WiFi Antenna:** WiFi antenna extends an additional 1-1/2" from side of unit and adds up to 4-1/4" above the unit when oriented upwards

**Note:** The antenna rotates and can be adjusted to a down position.

**Finish:** Powder coating

## FEATURES

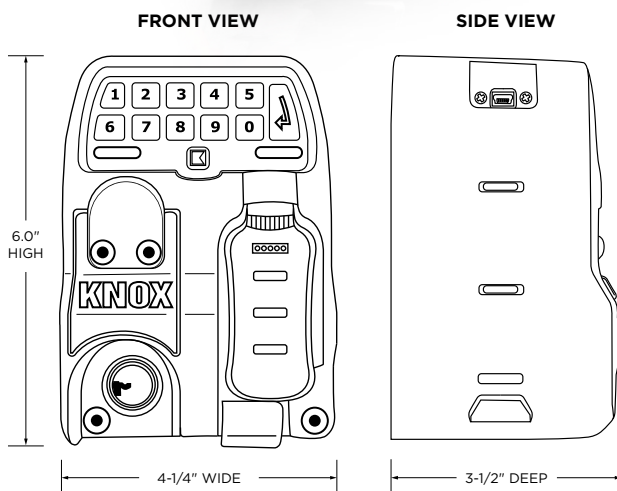
- ✓ Secures 1 Knox eKey and 1 Knox mechanical key
- ✓ Utilizes KnoxConnect Management System: Cloud-only (WiFi or Ethernet)
- ✓ Stores up to 5,000 User PIN codes
- ✓ Records up to 16,000 audit trail events
- ✓ User configuration and access activity tracked by user, date and time
- ✓ Access key using 4-10 digit PIN code
- ✓ Tamper monitor, with or without 12v power
- ✓ Keypad illuminates for day or night visibility
- ✓ 2 alert LEDs
- ✓ Can hold a Knox FDC Wrench

## BENEFITS

- ✓ Reduces liability of lost keys
- ✓ Flexible, holds 1 Knox mechanical key as departments transition to new electronic solution
- ✓ Leverages KnoxConnect to configure devices, manage users and retrieve audit trail information
- ✓ Provides ability to secure and support shared systems
- ✓ Manages accountability, recording key releases
- ✓ Network-enabled, connects to any computer or mobile device via a WiFi or Ethernet network to collect device history and program user access
- ✓ LED above key will flash when key is removed
- ✓ Secure mutual aid options using electronic or mechanical key

## OPTIONS

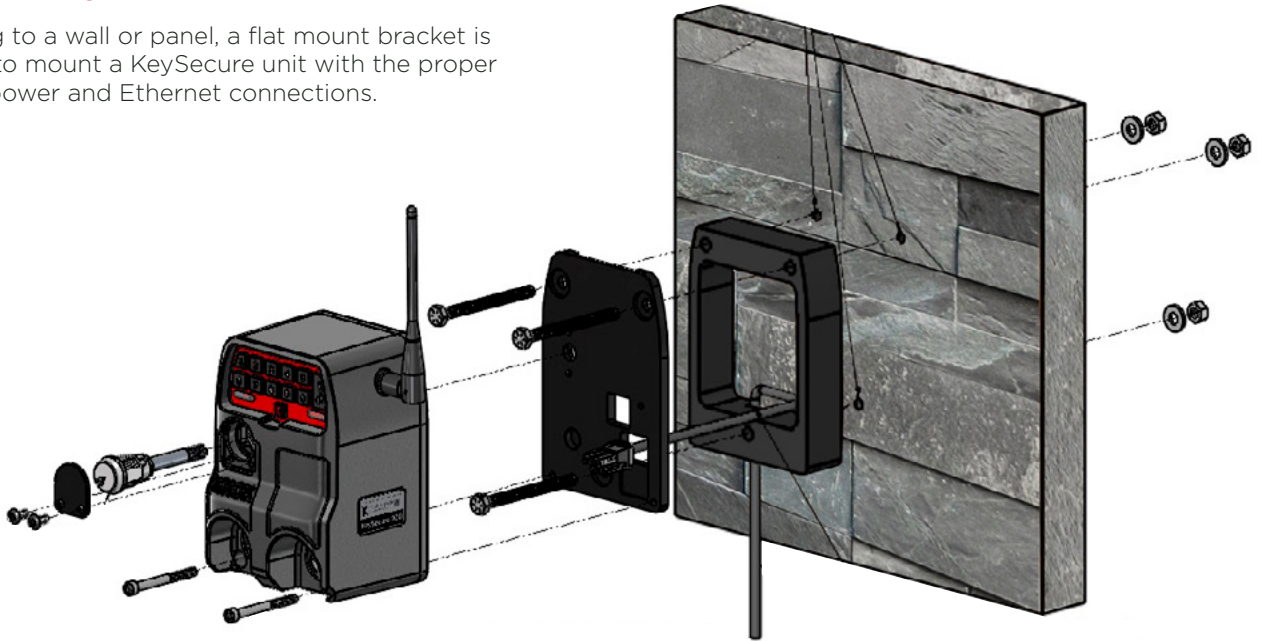
- ✓ 60°, 90°, or flat-mount bracket
- ✓ Mechanical key is optional



Knox recommends using and installing a Knox manufactured bracket. Three types of mounting brackets specifically made for the KeySecure 6 are available: a 60° angle, a 90° angle, and a flat mount bracket. These solid steel brackets can be used for installing the KeySecure units in a vehicle or office.

### FLAT MOUNT BRACKET

When mounting to a wall or panel, a flat mount bracket is recommended to mount a KeySecure unit with the proper clearances for power and Ethernet connections.



### 60 AND 90 DEGREE MOUNTING BRACKETS

The 60° & 90° brackets have the same vehicle mounting bolt pattern as the KeySecure 3b and 4. Both can be used to mount the KeySecure in a vehicle or office. Brackets can accommodate multiple orientations of KeySecure 6.

## ABOUT THE KNOX COMPANY

Since 1975, the Knox Company has successfully developed innovative rapid access solutions for first responders with products that provide fast, safe, and secure entry into commercial, industrial, and residential properties, while minimizing damage and maximizing safety. Today, more than 15,000 fire, EMS, and law enforcement departments/agencies depend on Knox products to gain access into over one million buildings/properties.



**KNOX COMPANY**

1601 W. DEER VALLEY RD  
PHOENIX, AZ 85027

T. 800.552.5669

**KNOXBOX.COM**

INFO@KNOXBOX.COM