

KNOXVAULT® 4400

DUAL LOCK MODEL

The KnoxVault 4400 is the largest capacity exterior rapid access key lock box available. The dual lock capability allows for shared access. It secures a combination of these items: 50 keys, access cards, emergency plans, and a FDC Wrench. Trusted by first responders to gain access to businesses, universities, multi-housing complexes, and commercial/industrial buildings.



Available in 3 colors:



Recessed Mount with Face Flange

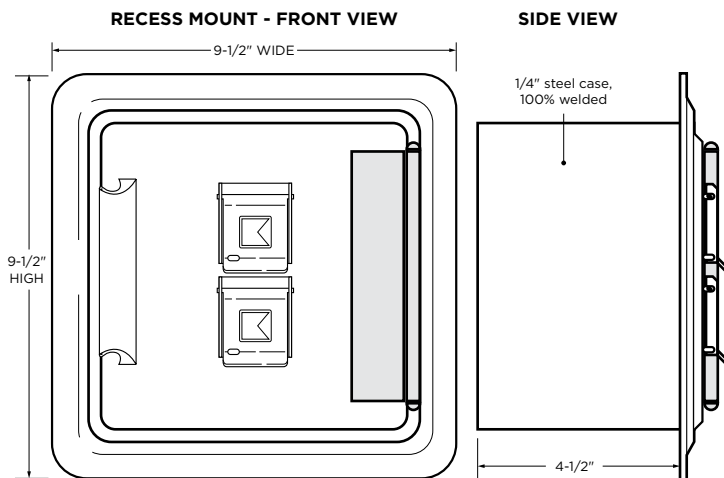
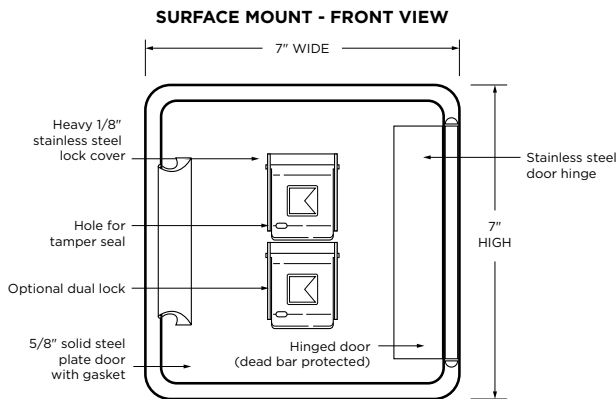
Surface Mount with Optional Tamper Switch

WEIGHT:

Surface Mount: 28 lbs
Recessed Mount: 29 lbs

DIMENSIONS:

Surface Mount Body: 7"H x 7"W x 5"D
Recessed Mount Flange: 9 1/2"H x 9 1/2"W



FEATURES

- ✓ A high-capacity volume that stores a combination of multiple keys, access cards, entry credentials, and plans
- ✓ UL Listed: UL 1037, UL 437, UL 1610, and UL 1332
- ✓ Durable Knox-Coat® finish performs four times better than standard powder coating
- ✓ Extreme weather-resistant door gasket

BENEFITS

- ✓ Provides rapid access into buildings and holds a larger volume of contents
- ✓ Reduces forced entries and property damage
- ✓ Minimizes potential for first responder injuries
- ✓ Compliant to National Fire Codes: IBC, IFC, and NFPA

OPTIONS

- ✓ For additional security, the Knox Tamper Alert can be connected to the building's alarm system
- ✓ Recess and surface mounting models available
- ✓ Available in black, aluminum, and dark bronze

ACCESSORIES

- ✓ Multi-Purpose Switch for use on electrical doors, gates, and other electrical equipment
- ✓ Recess Mounting Kit for new concrete or masonry construction
- ✓ Public Safety Labels

ORDERING SPECIFICATIONS

To ensure procurement and delivery of the KnoxVault 4400, it's recommended that the following specification verbiage be used:

KnoxVault surface/recessed mount with/without UL Listed Knox Tamper Alert, 1/4" plate steel housing, 5/8" thick steel door with interior gasket seal. Vault & lock UL Listed. Lock has 1/8" dust cover with tamper seal mounting capability. Vault has anti-theft drill resistant hard-plate lock protector.

Exterior Dimensions: Surface Mount: 7"H x 7"W x 5"D
Recessed Mount Flange: 9 1/2"H x 9 1/2"W

Lock: UL Listed. Double-action rotating tumblers and hardened steel pins accessed by a biased cut key

Finish: Knox-Coat® proprietary finishing process

Colors: Black, Dark, Bronze or Aluminum

P/N: KnoxVault 4400 (mfr's cat. ID)

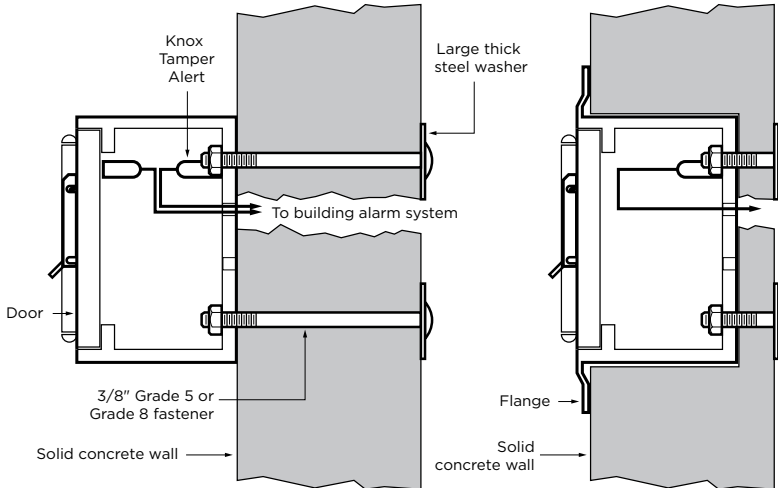
Manufacturer: The Knox Company



GENERAL MOUNTING INSTRUCTIONS

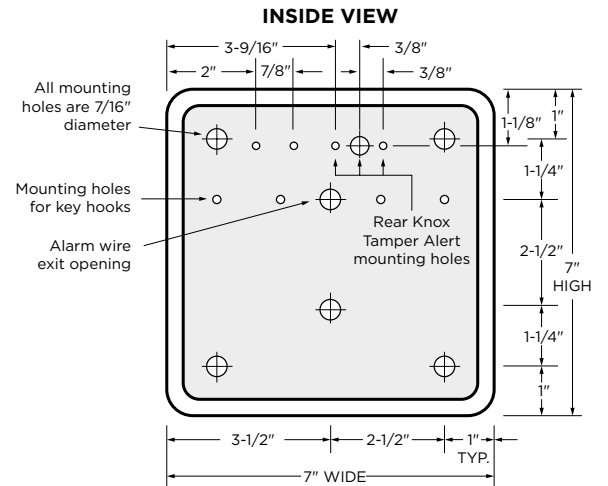
Suggested minimum mounting height: 6 feet above ground.

ATTENTION: KnoxVault is a very strong device that **MUST** be mounted properly to ensure maximum security and resist physical attack.



KnoxVault 4400 Surface Mount

KnoxVault 4400 Recessed Mount



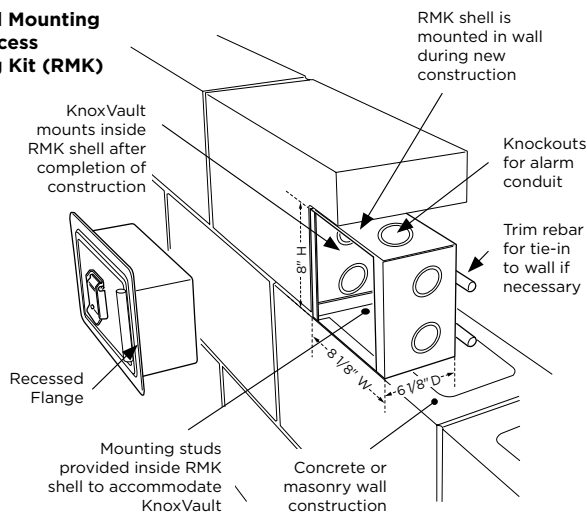
RECESS MOUNTING KIT AND INSTALLATION INSTRUCTIONS

The Recess Mounting Kit (RMK) includes shell housing and mounting hardware, which may only be used for recessed models to cast-in-place within new concrete or masonry construction. The KnoxVault is mounted into the shell housing after construction is completed.

RECESS MOUNTING KIT DIMENSIONS

Rough-in Dimensions:
 8-1/2"H x 8-1/2"W x 7"D

Recessed Mounting Using Recess Mounting Kit (RMK)



IMPORTANT: Care should be taken to ensure the front of the Recess Mounting Kit (RMK) shell housing, including the cover plate and screw heads, is flush with the wall. The RMK must be plumbed to ensure vertical alignment of the vault.

ABOUT THE KNOX COMPANY

Since 1975, the Knox Company has successfully developed innovative rapid access solutions for first responders with products that provide fast, safe, and secure entry into commercial, industrial, and residential properties, while minimizing damage and maximizing safety. Today, more than 15,000 fire, EMS, and law enforcement departments/agencies depend on Knox products to gain access into over one million buildings/properties.