



# KNOX MEDVAULT®

Reduce drug diversion risks and increase controlled substance accountability with secure storage and access limited to only authorized first responders.



The MedVault and the MedVault Mini are available in surface and recessed mounting configurations

## BENEFITS

- ✓ Controls access through use of authorized PIN codes
- ✓ Data gathering is streamlined for regulatory and licensing compliance reporting
- ✓ System updates and transaction records are automatically processed to reduce administrative processes

## FEATURES



Dual Authentication Enabled



Holds up to 5,000 unique PIN codes



LED Display



Secure PIN-Controlled Access



Records and stores up to 16,000 events



Review user access records via KnoxConnect



Available with Manual or eKey override



WiFi or Ethernet-Enabled



Automatically connects to network for upload of transaction history and PINs

## KNOXCONNECT™

Cloud-based administrative software is the central hub to run reports and sync, configure and manage electronic devices, users and data.



KnoxConnect



WIFI or ETHERNET

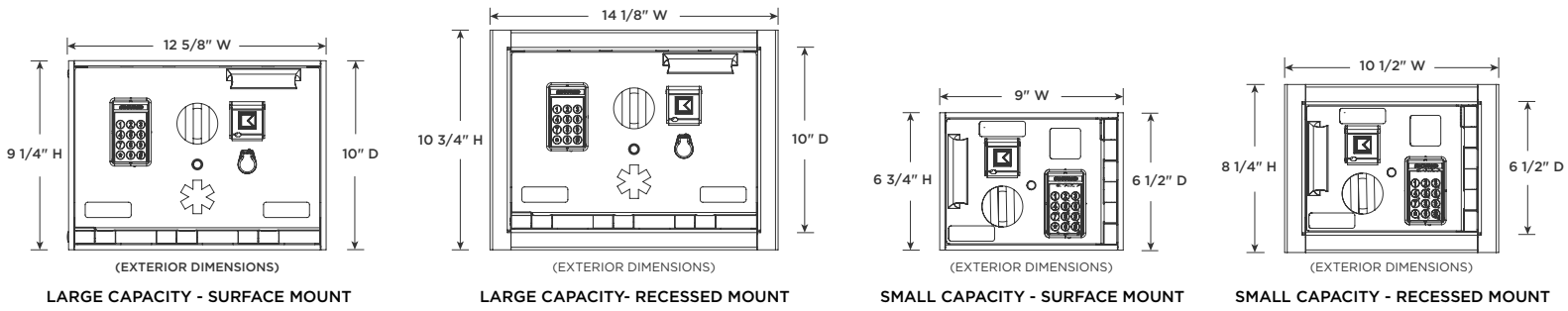


Knox MedVaults

TO LEARN MORE:

CALL: **1.800.552.5669** OR VISIT: **KNOXBOX.COM/MEDVAULT**

# MEDVAULT SPECIFICATIONS



MEDVAULT ELECTRONIC SPECIFICATION	
<b>Communication Standards</b>	802.3u Ethernet, 802.11 b/g/n (2.4 GHz)
<b>Security/Encryption</b>	WPA-PSK WPA2-PSK WPA+WPA2 EAP-PEAPv0 w/MsCHAP EAP-PEAP-TLS EAP-TLS
<b>RP-SMA Connector</b>	Connect a Wi-Fi Antenna for wireless network
<b>RJ-45 Dongle</b>	Connect a Cat5e Ethernet cable for wired networking
POWER SPECIFICATIONS	
<b>Power Supply Input Range</b>	10-15 Volts DC@ 3 Amps
<b>Current Drain (Standby)</b>	120 Milliamps
<b>Current Drain (Door Open)</b>	3 Amps

MEDVAULT MECHANICAL SPECIFICATIONS	
<b>Weight</b>	22 lb. for large 12 lb. for mini
<b>Finish</b>	Powder coat
<b>Override options</b>	Mechanical or eKey
<b>MedVault 2 Interior Capacity</b>	H: 8 3/4"; W: 11.25" and D: 6 5/8"
<b>MedVault Mini Interior Capacity</b>	H: 6 1/4"; W: 8.5" and D: 3 1/8"
ENVIRONMENTAL SPECIFICATIONS	
<b>Operating Temp</b>	-20° C to +65°C (-4° F to 149°F)
<b>Storage Temp</b>	-40° C to +90°C (-40° F to 194°F)
<b>Operating Humidity</b>	95% RH @25° C 76 Hours
REGULATORY SPECIFICATIONS	
<b>FCC</b>	Parts 15B and 15C
<b>UL</b>	UL437 (Lock core)

## MODEL NUMBERS

Description	Standard Override Model #	Size	Antenna Location
MedVault® Standard Door Recessed Mount	523OR3K	Mini	Back
MedVault® Standard Door Recessed Mount	523OR3R	Mini	Right
MedVault® Standard Door Surface Mount	523OS3K	Mini	Back
MedVault® Standard Door Surface Mount	523OS3R	Mini	Right
MedVault® Standard Door Recessed Mount	553OH3RK	Large	Back
MedVault® Standard Door Recessed Mount	553OH3RR	Large	Right
MedVault® Standard Door Recessed Mount	553OH3RT	Large	Top
MedVault® Standard Door Surface Mount	553OH3SK	Large	Back
MedVault® Standard Door Surface Mount	553OH3SR	Large	Right
MedVault® Standard Door Surface Mount	553OH3ST	Large	Top
MedVault® Face Up Door Recessed Mount	553OV3RK	Large	Back
MedVault® Face Up Door Recessed Mount	553OV3RR	Large	Right
MedVault® Face Up Door Recessed Mount	553OV3RT	Large	Top
MedVault® Face Up Door Surface Mount	553OV3SK	Large	Back
MedVault® Face Up Door Surface Mount	553OV3SR	Large	Right
MedVault® Face Up Door Surface Mount	553OV3ST	Large	Top
MedVault® Power Pack Temp. Backup Power Supply	9101		

Description	eKey Override Model #	Size	Antenna Location
MedVault® Standard Door Recessed Mount	KLS-523OR3K	Mini	Back
MedVault® Standard Door Recessed Mount	KLS-523OR3R	Mini	Right
MedVault® Standard Door Surface Mount	KLS-523OS3K	Mini	Back
MedVault® Standard Door Surface Mount	KLS-523OS3R	Mini	Right
MedVault® Standard Door Recessed Mount	KLS-553OH3RK	Large	Back
MedVault® Standard Door Recessed Mount	KLS-553OH3RR	Large	Right
MedVault® Standard Door Recessed Mount	KLS-553OH3RT	Large	Top
MedVault® Standard Door Surface Mount	KLS-553OH3SK	Large	Back
MedVault® Standard Door Surface Mount	KLS-553OH3SR	Large	Right
MedVault® Standard Door Surface Mount	KLS-553OH3ST	Large	Top
MedVault® Face Up Door Recessed Mount	KLS-553OV3RK	Large	Back
MedVault® Face Up Door Recessed Mount	KLS-553OV3RR	Large	Right
MedVault® Face Up Door Recessed Mount	KLS-553OV3RT	Large	Top
MedVault® Face Up Door Surface Mount	KLS-553OV3SK	Large	Back
MedVault® Face Up Door Surface Mount	KLS-553OV3SR	Large	Right
MedVault® Face Up Door Surface Mount	KLS-553OV3ST	Large	Top

## ABOUT KNOX COMPANY

Over forty years ago, a unique concept in rapid access for emergency response was born. The KnoxBox®, a high-security key lock box, was designed to provide rapid access for emergency responders to reduce response times, minimize injuries, and protect property from forced entry.

Today, one revolutionary lock box has grown into a complete system providing rapid access for public safety agencies, industries, military, and property owners across the world. The Knox Company is trusted by over 14,000 fire departments, law enforcement agencies, and governmental entities.



**KNOX COMPANY**  
1601 W. DEER VALLEY RD  
PHOENIX, AZ 85027

T. 800.552.5669  
F. 623.687.2290

**KNOXBOX.COM**  
INFO@KNOXBOX.COM