

The Knox MedVault 2.75 offers secure narcotics storage designed for First Responder Vehicle Applications. Through networking options, all access and entry records are automatically uploaded to KnoxConnect® Cloud Management Software, with accessibility for comprehensive record reviews. With integrations available to send audit data to inventory systems, the MedVault can strengthen the chain of customer tracking and reporting.



SECURITY:

- Durable cast aluminum construction provide greater protection than sheet metal storage cabinets

DUAL AUTHENTICATION:

- Access options include use of single or dual PIN

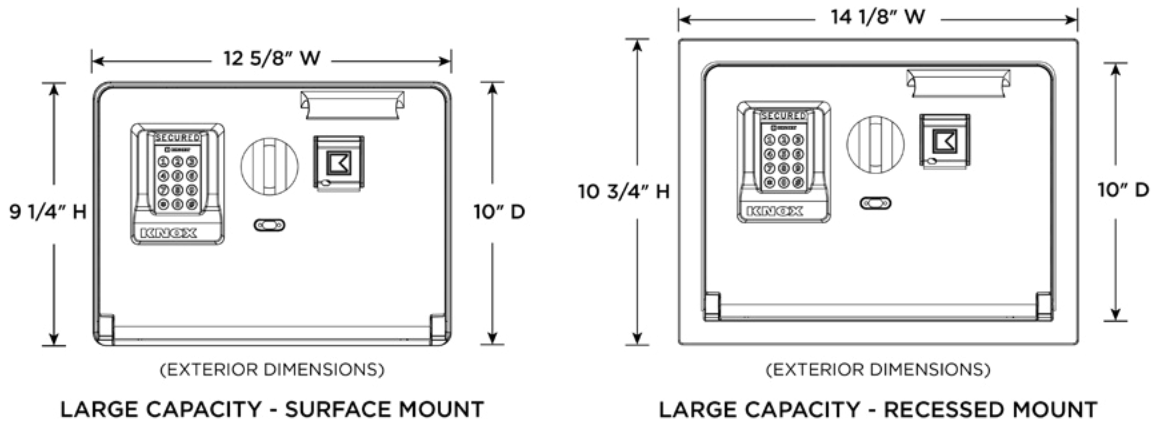
ACCOUNTABILITY:

- All access including key use, is time stamped, stored, and automatically update for reporting in KnoxConnect Cloud Management Software

INTERNAL ANTENNA:

- Antenna mounted inside door provides smaller footprint and easier installation





MECHANICAL SPECIFICATIONS

Models	Description	Override Options	Dimensions External	Dimensions Internal	Finish	Weight (lbs.)	Material
5540	MedVault 2.75 Large Recessed Mount	Mechanical	10.8" H X 14.1" W X 10" D	8.8" H X 11.3" W X 6.6" D	Textured Powder Coat	19.1	Cast Aluminum
KLS-5540	MedVault 2.75 Large Recessed Mount	eKey					
5541	MedVault 2.75 Large Surface Mount	Mechanical	9.25" H X 12.6" W X 10" D			17.2	
KLS-5541	MedVault 2.75 Large Surface Mount	eKey					

ELECTRICAL SPECIFICATIONS

Operating Temp	-20°C to 65°C (-4°F to 149°F)		Wiring	14-16 AWG
Humidity	95% RTH@ 25 C 76 hours		Communication	Ethernet or Wi-Fi
Memory	Up to 16,000 audit events		Programming	USB 2.0 A Male to USB-C
	Up to 5,000 PIN		Networking	
Power Input	11-3-15.5Volts, 3 Amps		Ethernet	802.3 u
Standby Current	400 mA		Wi-Fi	802.11 b/g/n (2.4 Ghz)
Peak Current	3 Amps		Encryption	WPA-PSK WPA2-PSK WPA+WPA2 EAP-PEAPv0 w/MSCHAP EAP-PEAP-TLS EAP-TLS
Battery	CR2450 Lithium 5 Year Replacement			
Regulatory	UL	437 (Lock Core)		
	FCC/IC	Part 15 A		

ACCESSORIES & REPAIR PARTS

91178	Replacement Holster Power Cable, KeyDefender
91196	MedVault 2.75 Bolt Mount Antenna Kit
91197	MedVault 2.75 Magnetic Mount Antenna Kit
91198	MedVault 2.75 Tech Lock Package*
91199	MedVault 2.75 SMA Connector
91200	MedVault 2.75 Main Board PCBA Replacement Kit
91203	MedVault 2.75 Power Cable
91204	MedVault 2.75 AC Adapter

*MedVault 2.75 does not include tech lock. The tech lock can be purchased separately.

ABOUT THE KNOX COMPANY

Since 1975, the Knox Company has successfully developed innovative rapid access solutions for first responders with products that provide fast, safe, and secure entry into commercial, industrial, and residential properties, while minimizing damage and maximizing safety. Today, more than 15,000 fire, EMS, and law enforcement departments/agencies depend on Knox products to gain access into over one million buildings/properties.