

The Knox Remote Power Box enables emergency responders to rapidly power down a building before entering. Designed to remotely operate the building's shunt switch, the Knox Remote Power Box supports electrical power disconnect for not only buildings, but also equipment and systems such as generators, power distribution, wind, solar power and telecommunications systems.



Single Lock, Surface Mount



Lock-Out/Tag-Out Posts  
Accommodate a Tamper Seal

## FEATURES

- Wires into a shunt trip breaker to remotely disconnect power
- Allen-Bradley Type 4/13 Watertight Selector Switch, Double Pole/Double Throw (DPDT)
- NEMA 2, 3R electrical enclosure (indoor/outdoor use)
- Built Knox-Rugged and secure: UL 1037, 437, 1610, 1332, 508
- Finished with Knox-Coat<sup>®</sup> to protect four times better than standard powder coat
- Weather-resistant silicone door gasket
- Supports lockout/tag out when used with optional tamper seals

## BENEFITS

- Fast, safe method for fire crews to remotely disconnect power from buildings or equipment
- Isolate power functions to ensure safe response measures
- Secure, UL listed design protects against tampering or physical attack from unauthorized individuals

## OPTIONS

- Knox Tamper Alert connects to building's alarm system for extra security
- Mount types: Recessed and Surface
- Single or dual lock for shared access

## ACCESSORIES

- Tag-Out Tamper Seals

## ORDERING SPECIFICATIONS

To insure procurement and delivery of the Knox Remote Power Box, use the following building specification paragraph:

Knox Remote Power Box surface/recessed mount, with/without UL Listed Tamper Alert. 1/4" plate steel housing, 5/8" thick steel door with silicone interior gasket seal. Lock has 1/8" dust cover with tamper seal mounting capability. Vault has anti-theft re-locking mechanism with drill resistant hard-plate protector.

### Exterior Dimensions:

Surface mount: 7" H x 7" W x 7 1/4" D

Recessed mount flange: 9 1/2" H x 9 1/2" W

**Lock:** UL Listed. Double-action rotating tumblers and hardened steel pins accessed by a biased cut key.

**Finish:** Knox-Coat<sup>®</sup> proprietary finishing process, Finish Color: Red

**P/N:** Knox Remote Power Box

**Mfr's Name:** KNOX COMPANY





Single Lock Recess Mount



Dual Lock Surface Mount

**IMPORTANT:**

The Knox Remote Power Box must be installed, operated and maintained by qualified persons who are thoroughly trained and who understand any hazards that may be involved. Carefully review the product Mounting Instructions prior to installing the Knox Remote Power Box. Follow product instructions supplied with the shipment.

**ATTENTION:**

Knox Remote Power Boxes are strong devices that **MUST** be mounted properly to ensure maximum security and to resist physical attack.

**ELECTRICAL RATINGS**

**Main Switch:** 24-480 VAC, 125 VA MAX, Pilot duty, per contact block  
Two contact blocks per switch; double pole, double throw (DPDT)

**Tamper Switch:** 24 VDC, 50 mA, general use

**Enclosure Rating:** NEMA Type 2, 3R

**Ambient Air Temperature Rating:** -40° to +65° C, -40° to +149° F

**Use 75° C wire only**



All Knox Remote Power Boxes are fully tested and listed by Underwriters Laboratories as anti-theft devices. Alarm Tamper Alerts are UL listed as Central Station Alarm Units. UL Electrical Range: Max Voltage of **24 VDC** at 50 mA.

UL 437 Standard for Safety for Key Locks

UL 508 Industrial Control Equipment

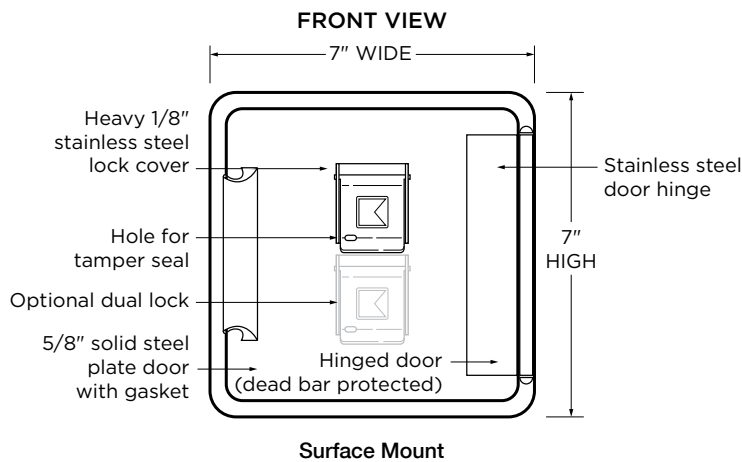
UL 1037 Antitheft Alarms and Devices

UL 1332 Organic Coatings for Steel Enclosures for Outdoor Use Electrical Equipment

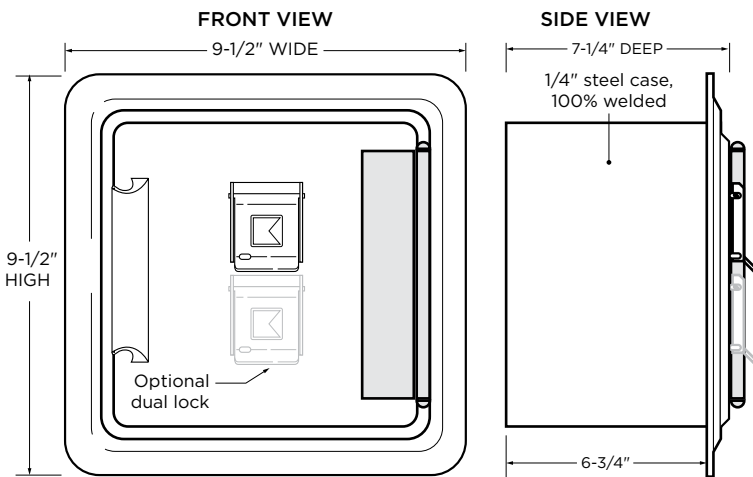
UL 1610 Central Station Alarm Units

**ATTENTION FIRE INSPECTORS:**

Solar power often cannot be remotely disconnected by the local power company. Requiring a Knox Remote Power Box for solar power systems in your jurisdiction provides safety and protection for your emergency responders.



Surface Mount



Recessed Mount

**ABOUT KNOX COMPANY**

Since 1975, the Knox Company has successfully developed innovative rapid access solutions for first responders with products that provide fast, safe, and secure entry into commercial, industrial, and residential properties, while minimizing damage and maximizing safety. Today, more than 15,000 fire, EMS, and law enforcement departments/agencies depend on Knox products to gain access into over one million buildings/properties.

**KNOX COMPANY**

1601 W. DEER VALLEY RD  
PHOENIX, AZ 85027

T. 800-566-9269

**KNOXBOX.COM**

INFO@KNOXBOX.COM