

Knox ePadlocks featuring Knox eLock offer rapid access and control for perimeters, gates, fences, outdoor storage and other critical or sensitive locations requiring master key access. These ePadlocks contain the patented Knox eLock core®, enabling padlocks to be managed in the KnoxConnect® system and accessed using the Knox eKey® for greater accountability and ease of use. This technology is ideal for mutual aid and shared access with property managers.

FEATURES

- ✓ All-weather rust-free, stainless steel Grade 6 shackle
- ✓ Weather resistant body with durable cover includes: cylinder protection, sealed shackle holes and drainage system
- ✓ Available in 4", 3" and 2" shackle lengths
- ✓ Attack resistant
- ✓ Key retaining (when open)
- ✓ High-security shroud version available
- ✓ Authorized agency identification label options: Fire (red); EMS (white); Police (blue); Sheriff (gold); and Security (white)

BENEFITS

- ✓ New shackle lengths support additional applications
- ✓ Improved attack resistance provides longer service life
- ✓ The eLock can be reprogrammed - rekeying is now obsolete
- ✓ Reduced maintenance
- ✓ Easy to share access for mutual aid (no additional keys needed)
- ✓ Key retention prevents dropped/lost keys
- ✓ Accessed with the same eKey as your KnoxBoxes, even when lock codes are different



Model KLS-3781



Model KLS-3782

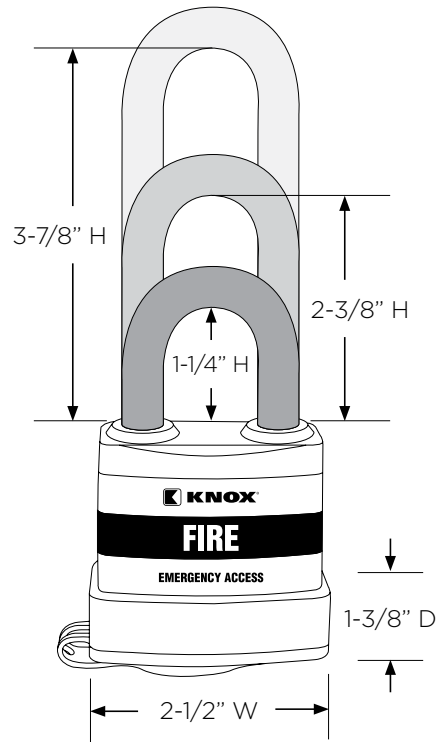


Model KLS-3783



Model KLS-3784

MODEL #	KLS-3781	KLS-3782	KLS-3783	KLS-3784
WHERE USED	Gates with wide hasps	Most standard applications and hasps	Hasps with limited space or clearance	Areas prone to attack or vandalism
TOTAL HEIGHT	7"	5-1/2"	4-3/8"	4-3/8"
SHACKLE LENGTH	3-7/8"	2-3/8"	1-1/4"	1-1/8"
SHACKLE DIAMETER	7/16"			
BODY DIMENSIONS	2-1/2" W x 1-3/8" D			
MATERIAL	Solid brass lock body with all-weather plastic cover; stainless steel ASTM Grade 6 shackle			
LOCK	Knox eLock electronic cylinder			
ENVIRONMENTAL	IP57 (water and dust resistant)			
OPERATION TEMPERATURE	-40C to + 60C			



MODEL # CROSS REFERENCE TABLE

The table below shows the recommended replacement model for your existing Knox mechanical master key padlock.

PADLOCK TYPE:	IF YOU HAVE KNOX PADLOCK MODEL:	USE KLS PADLOCK MODEL:
MEDIUM SHACKLE	3770 3771	3782 - 2-3/8" shackle Ensure hasp can accommodate thicker shackle when replacing 3771, which has a 5/16" shackle
ALL WEATHER SHROUDED	3772	3784 - 1-1/8" shackle
SHORT SHACKLE	3774	3783 - 1-1/4" shackle Ensure hasp can accommodate thicker shackle when replacing 3774, which has a 5/16" shackle



KLS-3784 shrouded padlocks offer maximum attack resistance against shackle cut, deterring unauthorized entry.

ABOUT KNOX COMPANY

Since 1975, the Knox Company has successfully developed innovative rapid access solutions for first responders with products that provide fast, safe, and secure entry into commercial, industrial, and residential properties, while minimizing damage and maximizing safety. Today, more than 15,000 fire, EMS, and law enforcement departments/agencies depend on Knox products to gain access into over one million buildings/properties.