

The KnoxBox 3200 is the number one high-security key lock box trusted by first responders and property owners. Store up to 10 keys to quickly gain rapid access to commercial properties.



Available in 3 colors:



## FEATURES

- ✓ Stores maximum 10 keys. Access cards and small entry items may also fit in interior compartment but will reduce max key quantity.
- ✓ Built Knox-Rugged and secure: UL 1037, UL 1610, UL 1332, UL 437
- ✓ Finished with Knox-Coat® to protect four times better than standard powder coat
- ✓ Weather-resistant door gasket
- ✓ Hinged door

## BENEFITS

- ✓ Allows rapid property access
- ✓ Reduces property damage
- ✓ Prevents forced entry into buildings
- ✓ Minimizes first responder injury
- ✓ Compliant to National Fire Code (NFPA, IFC, IBC)

## OPTIONS

- ✓ Knox Tamper Alert connects to building's alarm system for extra security
- ✓ Mount types: Recessed and Surface
- ✓ 3 color options: Black, Aluminum, Dark Bronze

## ACCESSORIES

- ✓ Multi-Purpose Switch for use on electrical doors, gates and other electrical equipment
- ✓ Recess Mounting Kit for new concrete or masonry construction
- ✓ Public Safety Labels
- ✓ Tag-Out Tamper Seals
- ✓ Key Tags
- ✓ Key Rings

## ORDERING SPECIFICATIONS

To insure procurement and delivery of the KnoxBox 3200, it is suggested that following specification paragraph is used:

KnoxBox surface/recessed mount with hinged door, with/without UL Listed Knox Tamper Alert. 1/4" plate steel housing, 1/2" thick steel door with interior gasket seal and stainless steel door hinge. Box and lock UL Listed. Lock has 1/8" thick stainless steel dust cover with tamper seal mounting capability.

**Exterior Dimensions:** Surface Mount Body - 4"H x 5"W x 3-7/8"D  
Recessed Mount Flange - 7"H x 7"W

**Lock:** UL Listed. Double-action rotating tumblers and hardened steel pins accessed by a biased cut key.

**Finish:** Knox-Coat proprietary finishing process

**Color:** Black, Dark Bronze or Aluminum

**P/N:** KnoxBox 3200 (mfr's cat. ID)

**Mfr's Name:** KNOX COMPANY



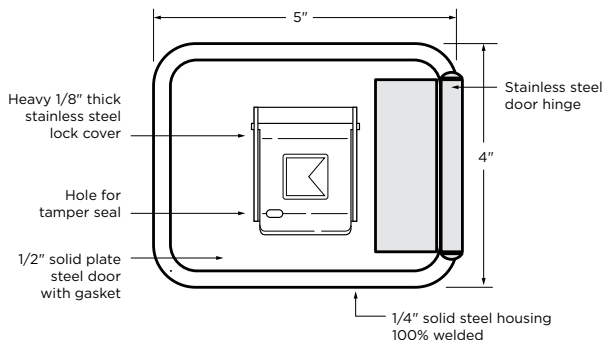
### WEIGHT:

Surface Mount - 8 lbs.  
Recessed Mount - 9 lbs.

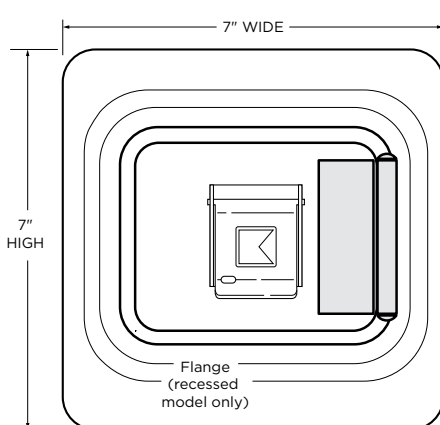
### DIMENSIONS:

Surface Mount Body - 4"H x 5"W x 3-7/8"D  
Recessed Mount Flange - 7"H x 7"W

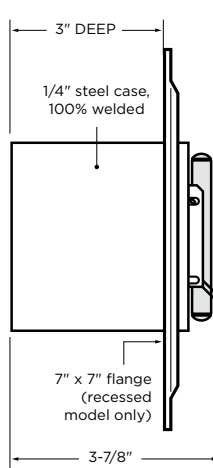
#### SURFACE MOUNT - FRONT VIEW



#### RECESS MOUNT - FRONT VIEW



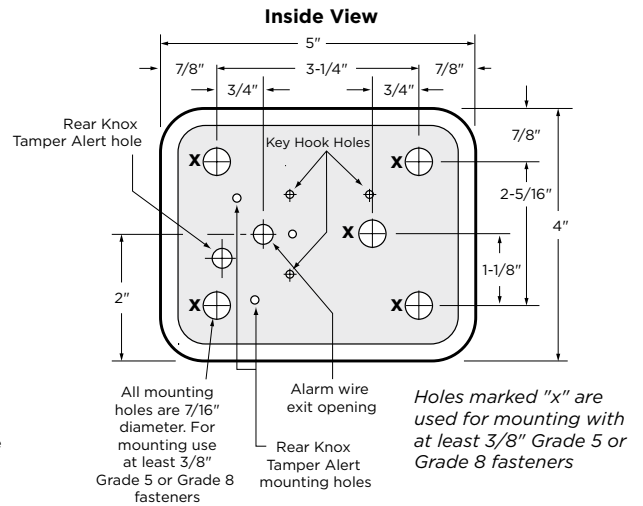
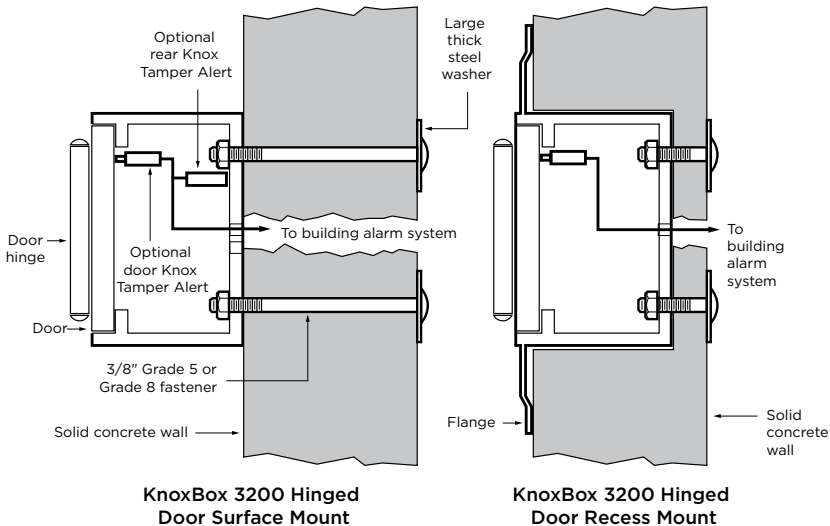
#### SIDE VIEW



## GENERAL MOUNTING INSTRUCTIONS

**Suggested minimum mounting height, 6 feet above ground.**

**ATTENTION:** KnoxBox is a very strong device that **MUST** be mounted properly to ensure maximum security and resist physical attack.



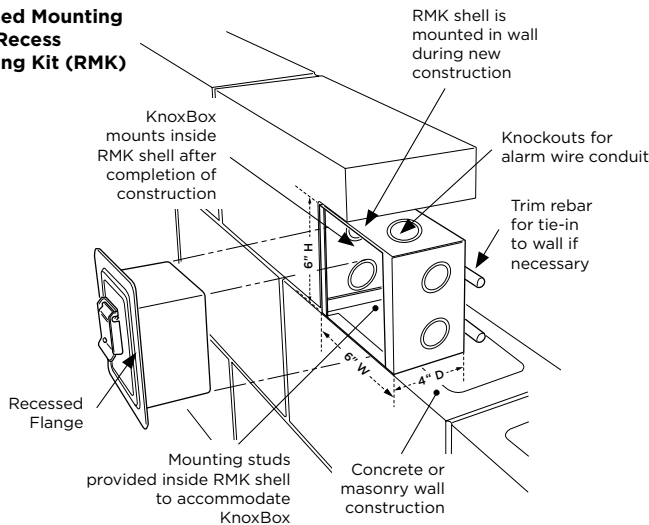
## RECESS MOUNTING KIT AND INSTALLATION INSTRUCTIONS

The Recess Mounting Kit (RMK) includes shell housing and mounting hardware, which may only be used for recessed models to cast-in-place within new concrete or masonry construction. The KnoxBox is mounted into the shell housing after construction is completed.

### RECESS MOUNTING KIT DIMENSIONS

Rough-in Dimensions:  
6-1/2"H x 6-1/2"W x 5"D

#### Recessed Mounting Using Recess Mounting Kit (RMK)



#### IMPORTANT:

Care should be taken to ensure the front of the Recess Mounting Kit (RMK) shell housing, including the cover plate and screw heads, is flush with the wall. The RMK must be plumbed to ensure vertical alignment of the box.

## ABOUT KNOX COMPANY

Over forty years ago, a unique concept in rapid access for emergency response was born. The KnoxBox, a high-security key lock box, was designed to provide rapid access for emergency responders to reduce response times and protect property from forced entry.

Today, one revolutionary lock box has grown into a complete system providing rapid access for public safety agencies, industries, military, and property owners across the world. The Knox Company is trusted by over 14,000 fire departments, law enforcement agencies, and governmental entities.

**KNOX COMPANY**  
1601 W. DEER VALLEY RD  
PHOENIX, AZ 85027

T. 800.552.5669

F. 623.687.2290

**KNOXBOX.COM**  
INFO@KNOXBOX.COM