

### High Security Residential Key Box



The Knox Residential Box was developed to secure residential entrance keys. Knox Residential Box is used for fire, police and medical emergency entry in gated communities, single family residences and apartment complexes. The hinged residential key box is also available with a door-hanging bracket for emergency medical access during temporary convalescence.

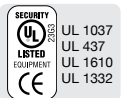
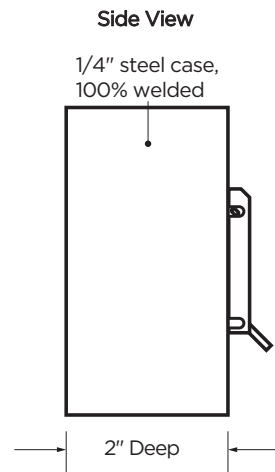
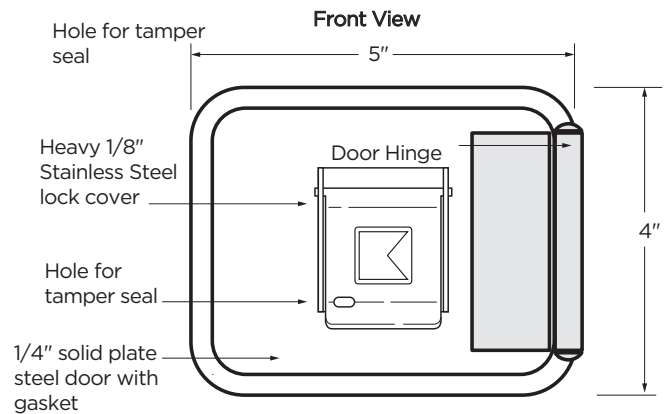
#### Features and Benefits

- Holds up to 2 keys in interior compartment
- Ensures high security with UL® Listed Medeco lock
- Includes a Knox-Coat® proprietary finishing process that protects Knox products up to four times better than standard powder coat
- Resists moist conditions with a weather resistant door gasket
- Colors: Black, Dark Bronze or Aluminum
- Weight: 7 lbs.

#### Options

- Tamper Alert (UL Listed)
- Door bracket for hanging over 1-7/8" door for temporary applications.

**Attention: Knox Residential Boxes are very strong security device that MUST be mounted properly to ensure maximum security and ability to resist physical attack.**



**Note: For commercial applications, see KnoxBox™ 3200 or KnoxVault™ 4400.**

#### Ordering Specifications

**To ensure procurement and delivery of the Knox Residential Box hinged-door model, it is suggested that the following specification paragraph be used:**

Knox Residential Box surface or door mount. 1/4" plate steel housing, 1/4" thick steel door with interior gasket seal and stainless steel door hinge. Box and lock UL® Listed. Lock has 1/8" thick dust cover with tamper seal mounting capability.

Exterior Dimensions:

Surface mount: 4"H x 5"W x 2-3/4"D

Door hanger: 4"H x 5"W x 2-3/4"D

Lock: UL Listed. Double-action rotating tumblers and hardened steel pins accessed by a biased cut key.

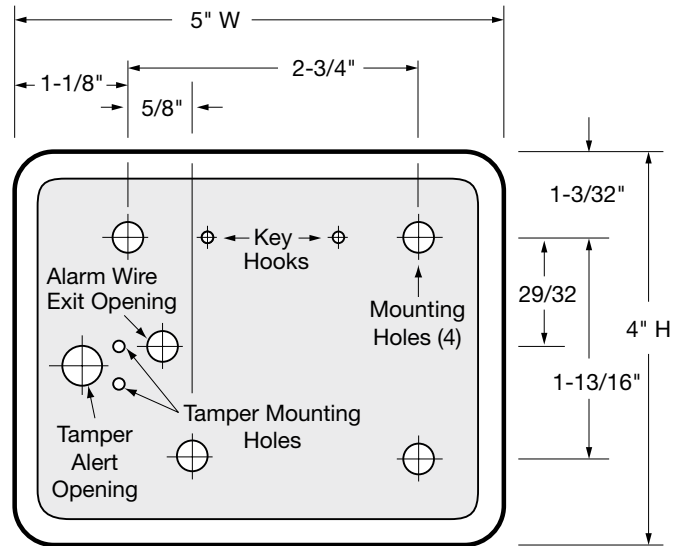
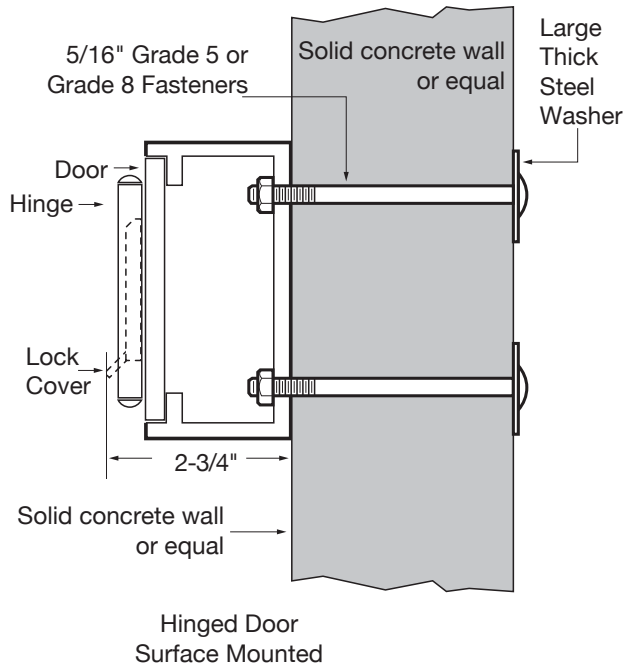
Finish: Knox-Coat® proprietary finishing process

Colors: Black, Dark Bronze, Aluminum

P/N: Knox Residential Box (mfr's cat. ID)

Mfr's Name: **KNOX COMPANY**

Suggested minimum mounting height 6 feet above ground



**Front View of Back Plate**

**Attention: Knox Residential Boxes are very strong security device that MUST be mounted properly to ensure maximum security and ability to resist physical attack.**

**Knox® Rapid Entry System**

The Knox Company manufactures a complete line of high security products including KnoxBox key boxes, key vaults, cabinets, key switches, padlocks, locking FDC plugs and caps and electronic master key security systems. For more information or technical assistance, please call Customer Service at 1-800-552-5669.