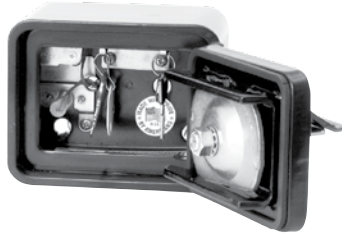


Recessed Mount
with Face Flange



High Security Industrial/Government Key Box

Surface Mount



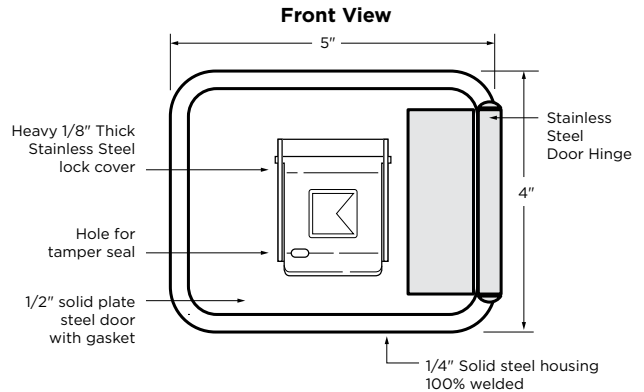
The number one high-security KnoxBox 3200 is used for most commercial applications including businesses, schools, government and public buildings, community associations and apartment complexes. The KnoxBox 3200 holds keys, access cards and other small items necessary for emergency access.

Features and Benefits

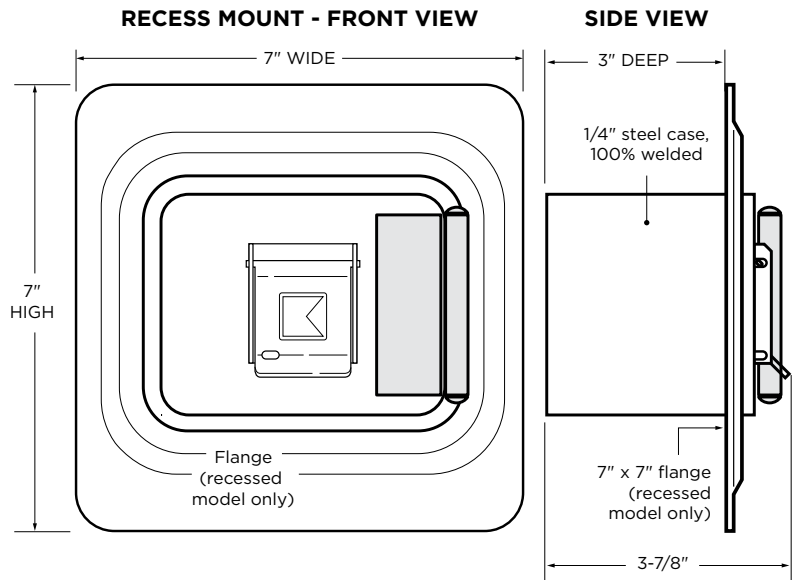
- Holds up to 10 keys and access cards in interior compartment
- Ensures high security. Box and lock are UL® Listed
- Includes a Knox-Coat® proprietary finishing process that protects Knox products up to four times better than standard powder coat
- Resists moist conditions with a weather resistant door gasket
- Hinged door allows single-handed operation
- Colors: Black, Dark Bronze or Aluminum
- Weight: Surface mount - 8 lbs.
Recessed mount - 9 lbs.

Options

- Tamper Alert (UL Listed)
- Recess Mounting Kit (RMK) for recessed models only
- Inside switch for use on electrical doors, gates and other electrical equipment



KnoxBox 3200 Surface Mount



KnoxBox 3200 Recessed Mount

Ordering Specifications

To insure procurement and delivery of the KnoxBox 3200, it is suggested that the following specification paragraph be used:

KnoxBox surface/recessed mount with hinged door, with/without UL Listed tamper alerts. 1/4" plate steel housing, 1/2" thick steel door with interior gasket seal and stainless steel door hinge. Box and lock UL Listed. Lock has 1/8" thick stainless steel dust cover with tamper seal mounting capability.

Exterior Dimensions: Surface mount body- 4"H x 5"W x 3-3/4"D

Recessed mount flange- 7"H x 7"W

Lock: UL Listed. Double-action rotating tumblers and hardened steel pins accessed by a biased cut key.

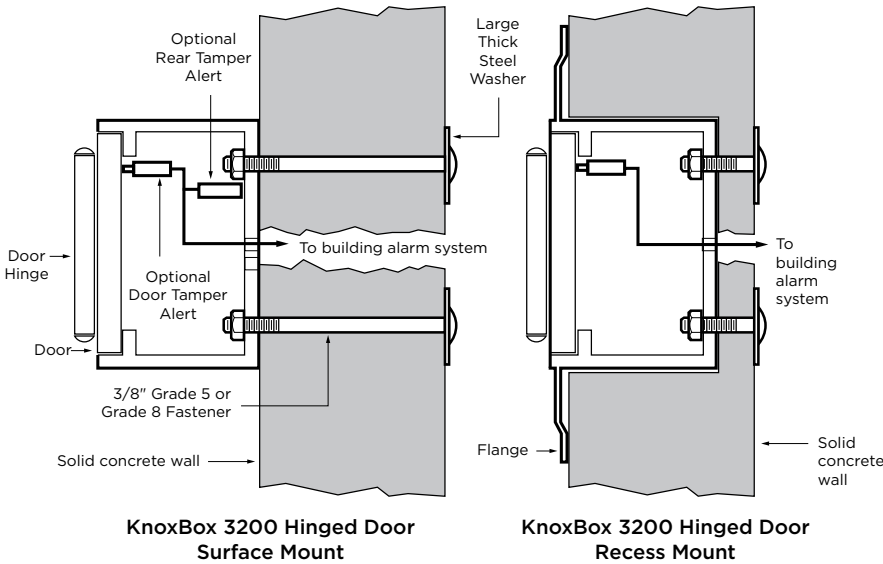
Finish: Knox-Coat® proprietary finishing process

Colors: Black, Dark Bronze or Aluminum

P/N: 3200 Series KnoxBox (mfr's cat. ID)

Mfr's Name: **KNOX COMPANY**

**Suggested minimum mounting height
6 feet above ground**



Recess Mounting Kit

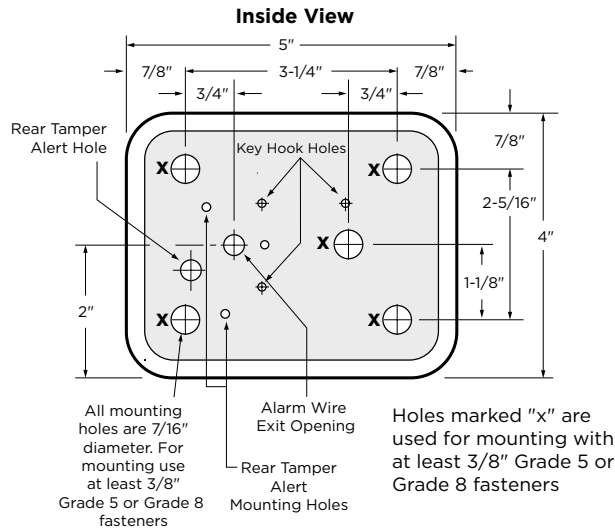
The KnoxBox 3200 Recess Mounting Kit (RMK) is used for recessed models only. It contains a shell housing and mounting hardware to be cast-in-place in new concrete or masonry construction. After construction is completed, the KnoxBox 3200 mounts inside the RMK. The RMK may only be used in new concrete or masonry construction.

Installation In Cast Concrete

The optional Recess Mounting Kit is for use in new concrete or masonry construction only. The kit includes a shell housing and mounting hardware to be cast-in-place. The KnoxBox 3200 is mounted into the shell housing after construction is completed.

Dimensions

Rough-in Dimensions: 6-1/2"H x 6-1/2"W x 5"D



All mounting holes are 7/16" diameter. For mounting use at least 3/8" Grade 5 or Grade 8 fasteners

Holes marked "x" are used for mounting with at least 3/8" Grade 5 or Grade 8 fasteners

Attention: KnoxBox 3200 is a very strong device that MUST be mounted properly to ensure maximum security and resist physical attack.

Knox® Rapid Entry System

The Knox Company manufactures a complete line of high security products including KnoxBox key boxes, key vaults, cabinets, key switches, padlocks, locking FDC plugs and caps and electronic master key security systems. For more information or technical assistance, please call Customer Service at 1-800-552-5669.

Recessed Mounting Using Recess Mounting Kit (RMK)

