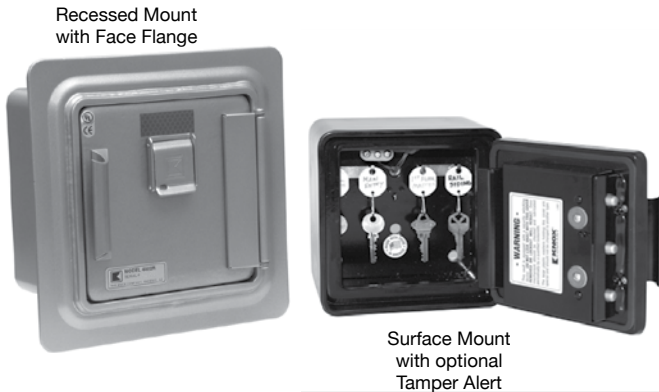


**High Security Industrial/Government Key Vault**



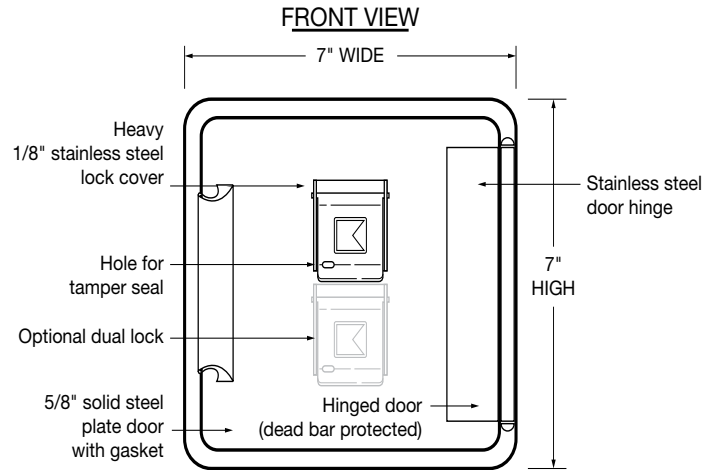
KnoxVault 4400 key boxes are used in larger businesses, industrial properties, public buildings and universities. The heavy-duty, high security KnoxVault 4400 protects and stores building keys, access cards and floor plans for emergency entry. The vault also provides secure storage for other internal and external applications.

**Features and Benefits**

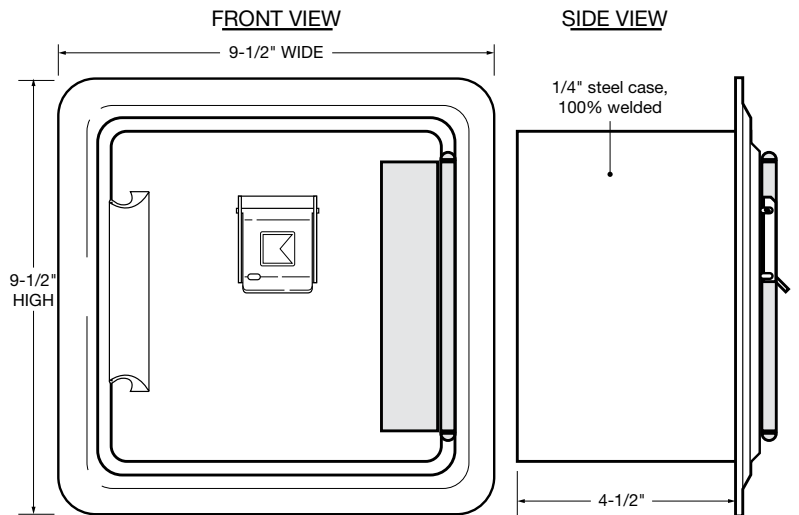
- Holds up to 50 keys in the large interior compartment
- Ensures high security with UL® Listed Medeco lock(s)
- Includes Knox-Coat® that is four times better than standard powder coat
- Resists moist conditions with a weather resistant door gasket
- Colors: Black, Dark Bronze or Aluminum
- Weight: Surface mount - 28 lbs.  
Recessed mount - 29 lbs.

**Options**

- Tamper Alert (UL Listed)
- Additional rust and corrosion protection (Aluminization)
- Recess Mounting Kit (RMK) for recessed models only
- Custom vault depth available
- Dual lock configuration
- Inside switch for use on electrical doors, gates and other electrical equipment



**Surface Mount**



**Recessed Mount**

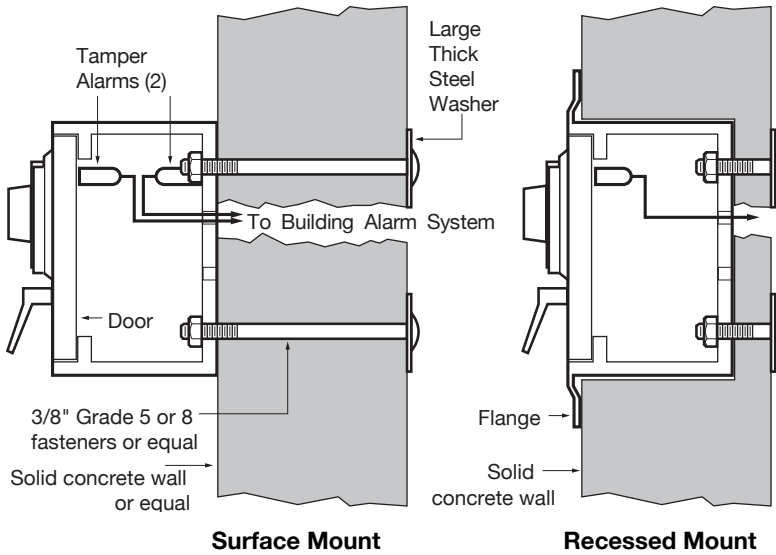
**Ordering Specifications**

**To insure procurement and delivery of the KnoxVault 4400, it is suggested that the following specification paragraph be used:**

KnoxVault surface/recessed mount, with/without UL Listed tamper switches. 1/4" plate steel housing, 5/8" thick steel door with interior gasket seal and stainless steel hinge. Vault and lock UL Listed. Lock has 1/8" thick stainless steel dust cover with tamper seal mounting capability. Vault has anti-theft re-locking mechanism with drill resistant hard-plate lock protector. Exterior Dimensions:

	Surface mount:	7"H x 7"W x 5"D
	Recessed mount flange:	9 1/2"H x 9 1/2"W
Lock:	UL Listed. Double-action rotating tumblers and hardened steel pins accessed by a biased cut key.	
Finish:	Knox-Coat® proprietary finishing process Finish Color - Black, Dark Bronze or Aluminum	
P/N:	4400 Series KnoxVault (mfr's cat. ID)	
Mfr's Name:	<b>KNOX COMPANY</b>	

Suggested minimum mounting height  
6 feet above ground



### Recess Mounting Kit

The Recess Mounting Kit (RMK) is used for recessed models only. It contains a shell housing and mounting hardware to be cast-in-place in new concrete or masonry construction. After construction is completed, the KnoxVault 4400 mounts inside the recessed shell housing. The RMK may only be used in new concrete or masonry construction.

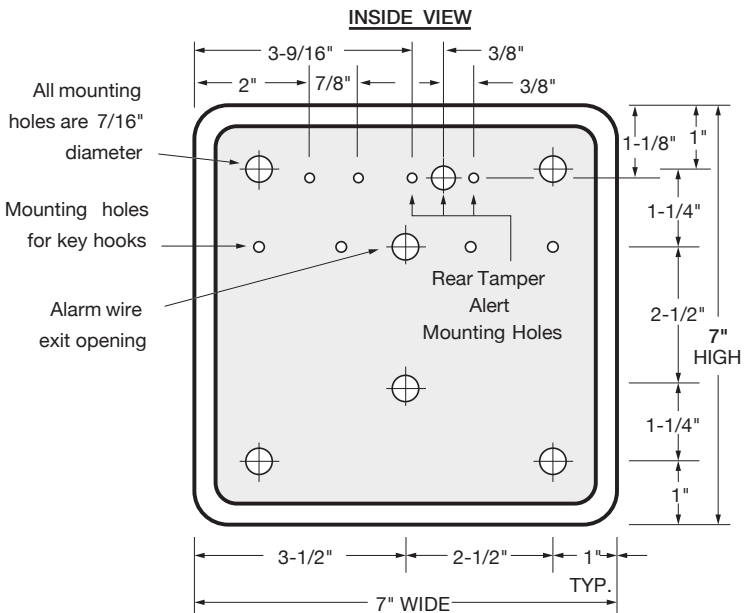
### Installation In Cast Concrete

The optional Recess Mounting Kit is for use in new concrete or masonry construction only. The kit includes a shell housing and mounting hardware to be cast-in-place. The KnoxVault 4400 is mounted into the shell housing after construction is completed.

### Rough-In Dimensions

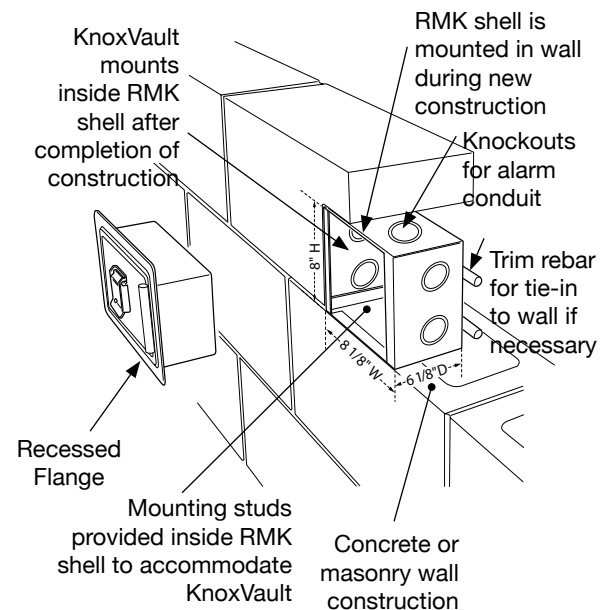
8 1/2" H x 8 1/2" W x 7" D

**IMPORTANT:** Care should be taken to insure that the front of the RMK shell housing, including the cover plate and screw heads, is flush with the finish wall. The RMK must be plumbed to insure vertical alignment of the vault.



**Attention: KnoxVault 4400 is a very strong device that MUST be mounted properly to ensure maximum security and resist physical attack.**

### Recessed Mounting Using Recess Mounting Kit (RMK)



**Knox® Rapid Entry System**  
The Knox Company manufactures a complete line of high security products including KnoxBox key boxes, key vaults, cabinets, key switches, padlocks, locking FDC plugs and caps and electronic master key security systems. For more information or technical assistance, please call Customer Service at 1-800-552-5669.